

Condensate Collector **V20.8/K**, PN 40, CL 300, DN 15-25
 Steam Manifold **V20.8**, PN 40, CL 300, DN 15-25

V20.8/K
V20.8

Description

V 20.8/K

Compact-type condensate collector, vertical design, with internal immersion tube, lateral connections and integral stuffing box type shut-off valves for any kind of pipe connection.

V 20.8

Steam manifold with lateral connections and integral stuffing box type shut-off valves for any kind of pipe connection.

Lateral connections:

DN 15, DN 20, DN 25.

Main connection:

DN 40

End connections:

Butt-weld ends,
 Socket-weld ends,
 Flanged EN 1092, PN 40,
 Flanged ASME Class 150 RF

Flanged ASME Class 300 RF

Function

Condensate collector V20.8/K

Condensate flows through the lateral connections into the manifold. The condensate is collected between the manifold and the concentrically arranged immersion tube, thereby creating a water pocket. The space above the water pocket acts as a dampening cushion consisting of flash steam. This steam cushion effectively prevents water hammer. The condensate flowing into the unit will be forced into the higher condensate collecting line as a function of its service pressure (differential pressure). Each lateral connection can be isolated by means of a stuffing box type shut-off valve.

Steam manifold V20.8

Steam flows through the main pipe connection at the front of the steam manifold. It passes through the lateral connections and flows to the consumers. Each lateral connection can be isolated by means of a stuffing box type shut-off valve.

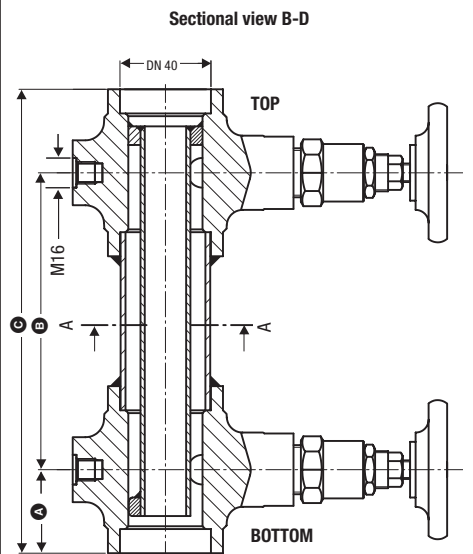
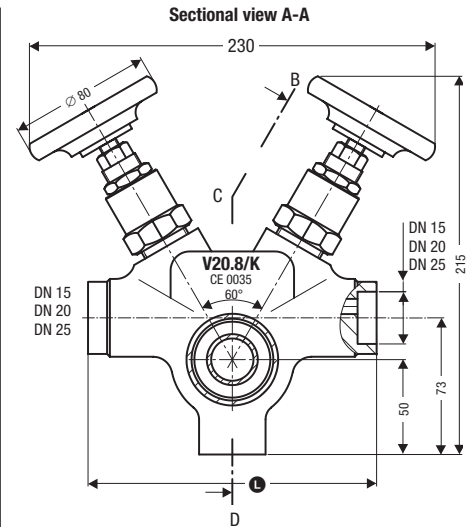
Dimensions and Weights

Flanges EN 1092-1 PN 40							
N° of connections right/left	A	B	C	L			Weight [kg]
				DN 15	DN 20	DN 25	
1/1	92	160	184	232	236	236	9
2/2	92	160	344	232	236	236	17
3/3	92	160	504	232	236	236	25
4/4	92	160	664	232	236	236	34
5/5	92	160	824	232	236	236	43
6/6	92	160	984	232	236	236	51

Flanges B16.5 Class 150							
N° of connections right/left	A	B	C	L			Weight [kg]
				DN 15	DN 20	DN 25	
1/1	109	160	218	252	260	268	9
2/2	109	160	378	252	260	268	17
3/3	109	160	538	252	260	268	25
4/4	109	160	698	252	260	268	34
5/5	109	160	858	252	260	268	43
6/6	109	160	1018	252	260	268	51

Flanges B16.5 Class 300							
N° of connections right/left	A	B	C	L			Weight [kg]
				DN 15	DN 20	DN 25	
1/1	109	160	230	260	270	280	10
2/2	109	160	390	260	270	280	19
3/3	109	160	550	260	270	280	28
4/4	109	160	710	260	270	280	38
5/5	109	160	870	260	270	280	48
6/6	109	160	1030	260	270	280	57

Butt-weld ends DIN 3239-1					
N° of connections right/left	A	B	C	L	Weight [kg]
1/1	45	160	90	152	4
2/2	45	160	250	152	8
3/3	45	160	410	152	12
4/4	45	160	570	152	16
5/5	45	160	730	152	20
6/6	45	160	890	152	24



Condensate collector V20.8/K
 Socket-weld end DN 40, connections DN 20

Condensate Collector **V20.8/K**,
 PN 40, CL 300, DN 15-25
 Steam Manifold **V20.8**,
 PN 40, CL 300, DN 15-25

Order & Enquiry Specifications

GESTA Condensate Collector
 with immersion tube and stuffing box type shut-off valves.
 Fixing holes M16
 Insulating jacket for subsequent installation (optional).

Type: V 20.8/K

Connection:..... Lateral connections (can be shut-off)
 Size: DN 15 / DN 20 / DN 25
 Connection TOP: Socket-weld end / Butt-weld end
 Connection BOTTOM: Socket-weld end / Butt-weld end
 Pressure rating: PN 40 / CL 150 RF / CL 300 RF
 Insulating jacket: Yes / No
 Certification: Test certificate to EN 10204, 3.1

GESTA Steam Manifold
 with stuffing box type shut-off valves.

Fixing holes M16
 Insulating jacket for subsequent installation (optional).

Type: V 20.8

Connection:..... Lateral connections (can be shut-off)
 Size: DN 15 / DN 20 / DN 25
 Connection TOP: Socket-weld end / Butt-weld end
 Connection BOTTOM: Socket-weld end / Butt-weld end
 Pressure rating: PN 40 / CL 150 RF / CL 300 RF
 Insulating jacket: Yes / No
 Certification: Test certificate to EN 10204, 3.1

When ordering please state

Steam pressure, back pressure, condensate flowrate, type and size of pipe connection, place of installation, details of application or type of steam consumption.

The following test certificates can be issued on request at extra cost:

In accordance with EN 10204/3.1. All inspection requirements have to be stated with the order. After supply of the equipment certification can no longer be established. Charges and extent of the above mentioned certificates as well as the different test confirmed therein are listed in our price list "Test and Inspection Charges for Standard Equipment". For other tests and inspections than those listed above please consult us.

PED (Pressure Equipment Directive)

The equipment fulfills the requirements of the Pressure Equipment Directive (PED) 97/23/EC.

V20.8/K and V20.8 can be used with fluids of group 2.

With CE marking, except equipment that is excluded from the scope of this Directive as stated in section 3.3 of the PED.

ATEX (Atmosphère Explosible)

The equipment does not have its own potential source of ignition and is therefore excluded from the scope of the Directive 94/9/EC. Applicable in Ex zones 0, 1, 2, 20, 21, 22 (1999/92/EC). The equipment is without Ex marking.

Supply in accordance with our general terms of business.

Pressure/Temperature Ratings and Materials

Flanges PN 40 EN 1092-1 / Butt-weld ends DIN 3239-1 / 1.0460 (P250GH / C 22.8)							
Service pressure	PMA	[bar]	40.0	34.7	28.4	24.0	23.1
Inlet temperature	TMA	[°C]	20	150	250	350	400

Flanges B16.5 Class 300, socket-weld ends B16.25 Sched. 40 / 1.0460 (P250GH / A105)							
Service pressure	PMA	[bar]	51.0	45.0	41.0	37.0	34.0
Inlet temperature	TMA	[°C]	20	150	250	350	400

Materials

V20.8 V20.8/K	EN	ASTM
Body	P250GH (1.0460)	A105
Immersion tube (V20.8/K)	1.0305	A106*
Hand wheel	Sheet steel	Sheet steel
Thrust ring for stuffing box	1.0401	A 576-1015*
Gasket	1.0330	A109*
Spindle	1.4104	AISI 430 F*
Cone	1.4034	Chromium steel (13 %)
Cone seat	1.4104	AISI 430 F*
Collar	1.0501	A 576-1035*
Wiper ring	Novapress	Novapress
Packing	Graphite	Graphite
Lock nut	1.0501	A 576-1035*

*) Physical and chemical properties comply with DIN grade. ASTM nearest equivalent grade is stated for guidance only.

GESTRA AG

Münchener Straße 77, 28215 Bremen, Germany
 Telefon +49 421 3503-0, Telefax +49 421 3503-393
 E-mail info@de.gestra.com, Web www.gestra.de

