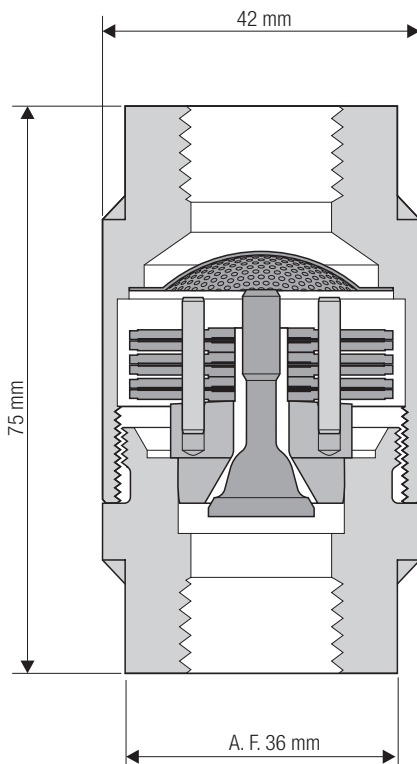


BK 36A-5



Steam Trap

BK 36A-5

DN 1/4", 3/8", 1/2", 3/4"

Description

During start-up of the plant the steam trap is completely open. Cold condensate and air are discharged.

As the temperature rises, the bimetallic plates deflect, drawing the stage nozzle towards the closed position.

Just before the condensate reaches saturated steam temperature the orifice will be shut off tight. The thermodynamic effect of the stage nozzle chamber assists in the closing process.

The steam trap provides automatic air-venting at start-up and during operation of the plant. BK 36A-5 can also be used for air-venting.

Pressure & temperature ratings

BK 36A-5			
PMA (max. allowable pressure)	[barg]	28	49
TMA (max. allowable temperature)	[°C]	400	20
ΔPMX (admissible differential pressure)	[barg]	32	

Materials

BK 36A-5	DIN / EN	ASME
Body	1.4301	A479 type 304
Regulator with Duo S. S. plates	Stainless steel	

Dimensions and weights

Type	Screwed sockets	
BK 36A-5	DN	8 – 20 mm
		1/4" – 3/4"
	[kg]	0.5

Screwed sockets: G ISO 228-1, NPT ASME B 16.11

Steam Trap

BK 36A-5

DN 1/4", 3/8", 1/2", 3/4"

Capacity Chart

The charts show the maximum capacities for hot and cold condensate.

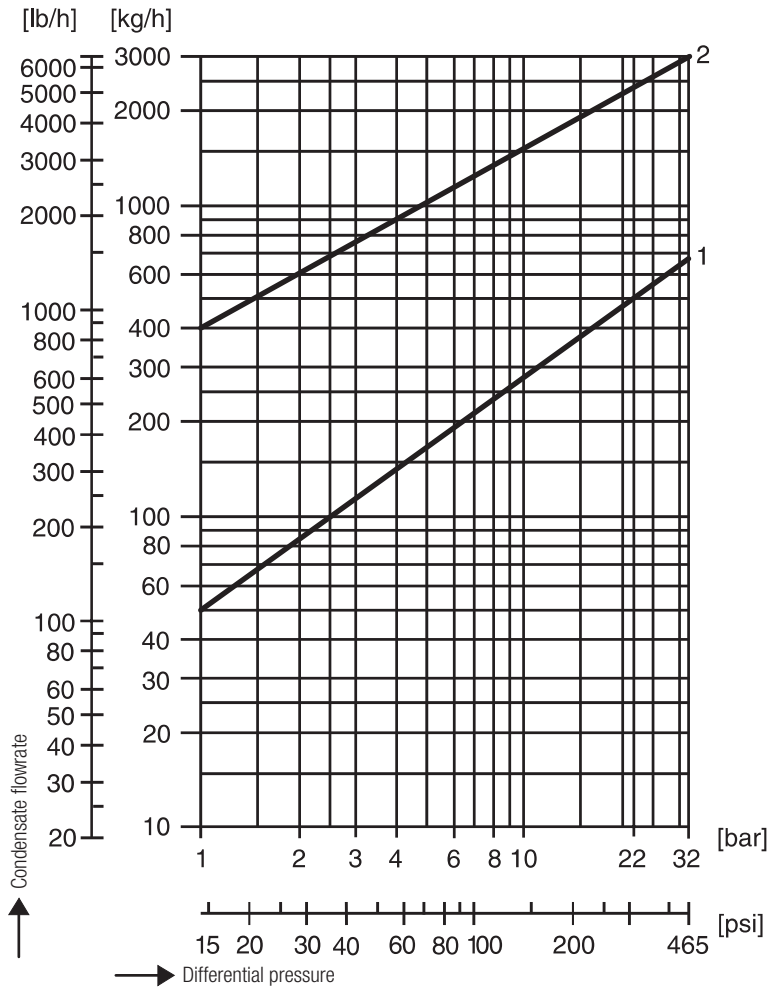
Curve 1

This curve indicates the max. capacity of hot condensate that the steam trap BK 36A-5 can discharge with virtually no banking up.

Curve 2

Discharge capacity for cold condensate at 20 °C.

Capacity Chart



Inspection & Certification

Documentation regarding material tests and in-house examination with test report EN10204-2.2 or inspection certificate EN10204-3.1 available at extra cost. All inspection requirements have to be stated with the enquiry or order. After supply of the equipment certification cannot be established. Charges and extent of the above mentioned test certificates as well as the different tests confirmed therein are listed in our Price List "Test and Inspection Charges for Standard Equipment". For other tests and inspections than those listed above, please consult us.

PED (Pressure Equipment Directive)

The equipment fulfills the requirements of the Pressure Equipment Directive PED 97/23/EC. For use with fluids of group 2. The equipment is excluded from the scope of the PED according to section 3.3 and must not bear a CE marking.

ATEX (Atmosphère Explosible)

The equipment does not have its own potential source of ignition and is therefore not subject to the ATEX Directive 94/9/EC. Applicable in Ex zones 0, 1, 2, 20, 21, 22 (1999/92/EC). The equipment is not Ex marked.

Supply in accordance with our general terms of business.

GESTRA AG

Münchener Straße 77, 28215 Bremen, Germany
Telefon +49 421 3503-0, Telefax +49 421 3503-393
E-mail info@de.gestra.com, Web www.gestra.de

