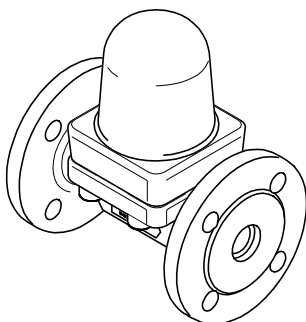


Steam Trap

MK 35/2S

MK 35/2S3



Contents

Preface.....	3
Availability.....	3
Text layout	3
Safety.....	3
Usage for the intended purpose.....	3
Basic safety notes	4
Typographic features of safety notes.....	5
Description	5
Scope of supply and equipment specification	5
Purpose and function.....	8
Storing and transporting the equipment.....	8
Storing the equipment	8
Transporting the equipment	9
Mounting and connecting the equipment.....	9
Preparing installation	9
Connecting the equipment	9
Operation	10
After operation	11
Removing external dirt deposits.....	11
Maintaining the equipment.....	11
Servicing the equipment	13
Troubleshooting	16
Putting the equipment out of operation	18
Removing harmful substances.....	18
Removing the equipment	18
Re-using equipment after storage.....	19
Disposing of the equipment.....	19
Technical data.....	20
Dimensions and weights	20
Pressure & temperature ratings.....	20
Manufacturer's Declaration.....	21

Preface

This installation & operating manual will help you use the following types of equipment safely and efficiently for their intended purpose.

- ▶ MK 35/2S
- ▶ MK 35/2S3

These steam traps will be called equipment in this document.

This installation & operating manual is intended for anyone commissioning, using, operating, servicing, cleaning or disposing of this equipment and, in particular, for professional after-sales service technicians, qualified personnel and authorised and trained staff.

All of these persons must read and understand the content of this installation & operating manual.

Following the instructions given in this installation & operating manual helps avoiding danger and increases the reliability and service life of the equipment. Please note that in addition to the instructions given in this installation & operating manual you must also observe all locally applicable rules and regulations concerning the prevention of accidents as well as approved safety guidelines for good professional practice.

Availability

Keep this installation & operating manual together with the plant documentation for future reference. Make sure that this installation & operating manual is available to the operator.

The installation & operating manual is part of the equipment. Please hand over this installation & operating manual when selling the equipment or passing it on.

Text layout

Certain text elements of this installation & operating manual feature a specific typographic design. You can easily distinguish the following text elements:

Standard text

Cross-reference

- ▶ Listing
 - ▶ Sub-items in listings
- Steps for action.



Here you will find additional useful information and tips serving to assist you in using the equipment to its fullest potential.

Safety

Usage for the intended purpose

The following thermostatic/thermodynamic steam traps are installed in steam lines:

- ▶ MK 35/2S
- ▶ MK 35/2S3

This equipment is designed for discharging condensed water or air-venting pipes.

The equipment must only be used within the allowable pressure and temperature limits and only if the chemical and corrosive influences on the equipment are taken into account.

Do not expose the control membrane of the membrane regulator capsule to superheat conditions above 5 °C.

Correct use includes compliance with the instructions given in this installation & operating manual, in particular obedience to all safety instructions.

Any other use of the equipment is considered to be improper.

Note that the equipment is also used incorrectly if the materials of the equipment are not suitable for the fluid.

Basic safety notes

Risk of severe injuries

- ▶ The equipment is under pressure and hot during operation. Before carrying out any work on the equipment make sure that the following requirements are met:
 - ▶ The pipes must be depressurized (0 bar).
 - ▶ The fluid must be completely removed from the pipes and the equipment.
 - ▶ During work on the equipment the installation must be switched off and protected against unauthorised or unintended activation.
 - ▶ The pipes and the equipment must have cooled down to room temperature (approx. 20 °C).
- ▶ If the equipment is used in contaminated areas there is a risk of severe injuries or death caused by harmful substances in or on the equipment. Before working on the equipment make sure that it is completely decontaminated. Always wear the protective clothing prescribed for contaminated areas when working on the equipment.
- ▶ The equipment must only be used with fluids that do not attack the material and the gaskets and sealings of the equipment. Otherwise leaks may occur and hot or toxic fluid could escape.
- ▶ The equipment and its component parts must only be mounted or removed by qualified personnel. A qualified person must be acquainted with and experienced in the following:
 - ▶ Making pipe connections.
 - ▶ Working with dangerous (contaminated, hot or pressurized) fluids.

Risk of minor injuries

- ▶ Sharp edges on internals present the danger of cuts to hands. Always wear industrial gloves when servicing the equipment.
- ▶ If the support of the equipment during installation is insufficient the equipment might fall down, thereby causing bruises or injuries. Make sure the equipment is safely held in place during installation and cannot fall down. Wear protective safety footwear.

Risk of property damage or malfunctions

- ▶ Malfunctions will occur if the equipment is installed in a wrong position or with the flow arrow pointing in the opposite direction of the fluid flow. This may result in damage to the equipment or the installation. Make sure that the flow arrow on the equipment body matches the indicated direction of the fluid flow in the pipe.
- ▶ If the material is unsuitable for the fluid, increased wear may occur and fluid may escape. Make sure that the material is suitable for the fluid used in your installation.

Typographic features of safety notes

Danger note



DANGER

Notes with the heading DANGER warn against imminent dangerous situations that can lead to death or serious injuries.



WARNING

Notes with the heading WARNING warn against possibly dangerous situations that could lead to death or serious injuries.



CAUTION

Notes with the heading CAUTION warn against dangerous situations that could lead to minor or moderate injuries.

Information on environmental and property damage

Attention!

This note warns against situations that may lead to environmental and/or property damage.

Description

Scope of supply and equipment specification

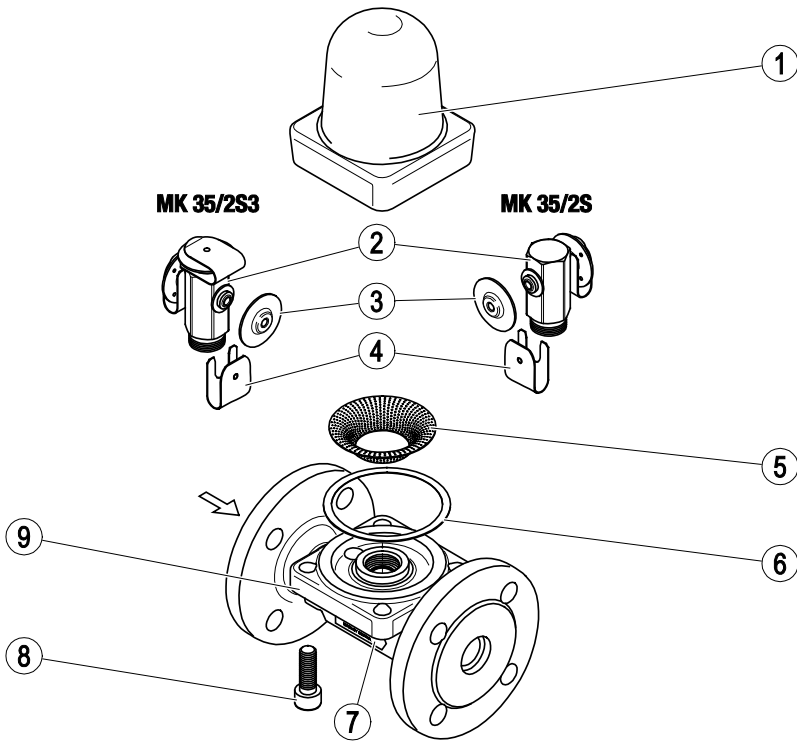
Scope of supply

Our equipment is delivered packed and ready for assembly.

Equipment specification

The types MK 35/2S and MK 35/2S3 differ only in their number of membrane regulator capsules.

- ▶ Equipment of type MK 35/2S has a control unit with two membrane regulator capsules. These two capsules are laterally attached to the nozzle insert.
- ▶ Equipment of type MK 35/2S3 has a control unit with three membrane regulator capsules. Two capsules are laterally attached to the nozzle insert. The third membrane regulator capsule is fixed on top of the nozzle insert.



No.	Designation
1	Cover
2	Nozzle insert
3	Membrane regulator capsule
4	Retaining clip for membrane regulator capsule
5	Strainer

No.	Designation
6	Cover gasket
7	Name plate (in form of flow direction arrow)
8	Screw
9	Body

Two different types of equipment with the corresponding nozzle insert are available.

MK 35/2S

- ▶ Single-seated membrane regulator capsule for nozzle insert, suitable for the following condensate flowrates:
 - ▶ hot: approx. 0–1.800 kg/h
 - ▶ cold 20 °C: approx. 0–5.900 kg/h

MK 35/2S3

- ▶ Single-seated membrane regulator capsule for nozzle insert, suitable for the following condensate flowrates:
 - ▶ hot: approx. 0-3.200 kg/h
 - ▶ cold 20 °C: approx. 0-8.000 kg/h

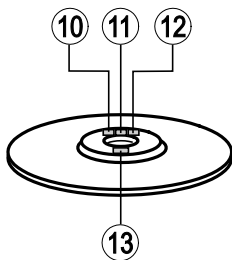


Please refer to the capacity charts in the pertinent data sheet for more information on condensate flowrates.

Markings on the membrane regulator capsule

Note that only membrane regulator capsules type 5H2 can be used in the equipment.

The capsule bears the following indications:



No.	Description
10	Code number for type
11	Code letter for opening temperature
12	Code number for capacity
13	Manufacturing code

Optional extras

The following add-on equipment is available:

- ▶ Ultrasonic test device VAPOPHONE®

End connections

The equipment is available with the following end connections:

- ▶ Socket-weld ends
- ▶ Flanges
- ▶ Screwed sockets

Name plate

The following items are indicated on the name plate:

- ▶ Manufacturer
- ▶ Type designation
- ▶ Design
- ▶ Code letter for opening temperature of membrane regulator capsule
- ▶ Nominal size
- ▶ Pressure rating
- ▶ Design temperature
- ▶ Design pressure
- ▶ Max. service temperature
- ▶ Max. admissible differential pressure

The following items are indicated on the equipment body:

- ▶ Material
- ▶ Identification marking of material testing
- ▶ Batch code
- ▶ Direction of flow
- ▶ Manufacturing date (quarter/year)

On the bottom of the body of equipment with screwed sockets you will also find the following indication:

- ▶ Thread type

Application of European Directives

Pressure Equipment Directive

The equipment conforms to this directive (see "Manufacturer's Declaration" section) and can be used for the following media:

- ▶ Fluids of group 2

ATEX Directive

The equipment does not have its own potential ignition source and is not subject to this directive (see "Manufacturer's Declaration" section).

When installed, static electricity may arise between the equipment and the connected system.

When used in potentially explosive atmospheres, the plant manufacturer or plant operator is responsible for discharging or preventing possible static charge.

If it is possible for medium to escape, e.g. through actuating mechanisms or leaks in threaded joints, the plant manufacturer or plant operator must take this into consideration when dividing the area into zones.

Purpose and function

Purpose

This equipment is designed for discharging condensed water or air-venting steam lines.

Condensate discharge is controlled by the two or three membrane regulator capsules and the associated nozzle insert.

Function of membrane regulator capsule

The membrane regulator capsule contains a liquid filling the evaporation temperature of which is a few degrees below the saturation temperature of water (condensate). From cold to just below steam temperature the fluid filling in the capsule stays liquid and condensate is discharged.

As condensate temperature approaches steam temperature, the capsule filling begins to evaporate and the increased pressure forces the flexible control membrane inside the capsule onto the single seat, thereby closing the nozzle insert.

The control characteristic of the membrane regulator capsule closely follows the saturated steam curve.

Storing and transporting the equipment

Attention!

Equipment can be damaged if stored or transported improperly.

- Close all openings with the sealing plugs or covers supplied with the equipment or use similar sealing covers.
- Protect the equipment against moisture and corrosive atmospheres.
- Please contact the manufacturer if the specified transport and/or storage requirements cannot be met.

Storing the equipment

Please observe the following items when storing the equipment:

- ▶ Do not store the equipment for more than 12 months.
- ▶ Use the supplied sealing plugs or other suitable seal caps in order to seal off all openings of the equipment.
- ▶ Protect the sealing surfaces and contact areas against mechanical damage.
- ▶ Protect the equipment and all components against hard shocks and impacts.
- ▶ Store the equipment only in closed rooms that meet the following environmental conditions:
 - ▶ Air humidity below 50 %, not condensing
 - ▶ Indoor air: clean, salt-free and non-corrosive
 - ▶ Temperature 5–40 °C.
- Make sure that all these requirements are always met when storing the equipment.

- Please contact the manufacturer if you cannot comply with the recommended storage conditions.

Transporting the equipment

- Meet the requirements for storage also when transporting the equipment.
- Prior to transport seal off connections with sealing plugs.



If you do not have the sealing plugs supplied with the equipment use appropriate seal caps to seal off the connections.

- For short distances (only a few metres) you can transport the equipment unpacked.
- When transporting the equipment over larger distances use the original packaging.
- If you do not have the original packaging use a box that protects the equipment adequately against corrosion and physical damage.



For a short period of time the equipment may be transported even if the temperature is below 0 °C, provided that the equipment is completely empty and dry.

Mounting and connecting the equipment

Preparing installation

- Take the equipment out of the transport packaging.
- Check the equipment for transport damage.
- Contact the manufacturer if you detect any kind of shipping damage.

When supplied by the factory, the connections may be sealed off with sealing plugs.

- Remove sealing plugs before mounting the equipment.

- Keep the sealing plugs and the packing for further use.



DANGER

Personnel working on pipes are exposed to safety risks and may suffer severe injuries, poisoning or even loss of life.

- Make sure that no hot or hazardous fluid is in the equipment or the pipes.
- Make sure that the pipes upstream and downstream of the equipment are depressurised.
- Make sure that the installation is switched off and protected against unauthorised or unintended activation.
- Make sure that the equipment and the pipes have cooled down to room temperatures.
- Wear protective clothing that is suitable for the fluid and, if necessary, wear protective gear.

For more information on suitable safety clothing and safety gear refer to the safety data sheet of the fluid in question.

- Drain pipes until they are empty.
- Switch the installation off and protect it against unauthorised or unintended re-activation.

Connecting the equipment



DANGER

Incorrectly connected equipment can cause fatal accidents or severe injuries.

- Make sure that only qualified skilled personnel connect the equipment to pipes.
- Make sure that the flow arrow on the equipment body matches the direction of flow in the pipe.

Specialist personnel must be highly qualified and fully experienced in making pipe connections for the respective type of end connection.

Attention!

Equipment will be damaged if the end connections are undersized.

- Make sure that the connections are strong and rigid enough to support the weight of the equipment and to withstand the forces that occur during operation.

To allow easy access for routine servicing and exchanging components observe the indicated withdrawal distances and allow for clearances to adjacent installation parts.

For more information see chapter "*Dimensions and weights*" on page 20.

- Make sure that the pipe system of the plant is clean.

The equipment can be installed in any position. If possible, mount the equipment in the pipeline with the cover on top.

- Make sure that the equipment is free from foreign matter.

Attention!

Welding might damage the membrane regulator capsule.

- Remove the membrane regulator capsule before welding.

For more information see chapter "*Removing control unit*" on page 12.

- Mount the equipment in the desired installation position.
- Make sure that the equipment is safely mounted and that all connections are made correctly.

Attention!

Malfunctions may occur if the equipment or condensate line is insulated.

- Make sure that the heat generated by the equipment or the condensate line is dissipated.

-
- After establishing the end connection mount the membrane regulator capsules.

For more information see chapter "*Mounting the control unit*" on page 12.

Operation

Do not work on the equipment while it is operating.

You can check the equipment for correct operation using the GESTRA ultrasonic measuring unit VAPOPHONE®.

- For more details refer to the installation & operating manual of the ultrasonic measuring unit.

After operation



DANGER

If the equipment is used in contaminated areas there is a risk of severe injuries or death caused by harmful substances in or on the equipment.

- Only qualified personnel are allowed to perform work on contaminated equipment.
- Always wear the protective clothing prescribed for contaminated areas when working on the equipment.
- Make sure that the equipment is completely decontaminated before carrying out any service work.
- Follow the pertinent instructions for handling the hazardous substances in question.

Attention!

Frost damage may occur when the installation is shut down.

- Drain the equipment if ambient temperatures below 0 °C (frost) are to be expected.

Removing external dirt deposits

- To remove dirt deposits rinse the equipment with fresh water and wipe it with a clean, lint-free cloth.
- To remove any persistent residues use a cleaning agent that is suitable for the material and carefully wipe the equipment with a clean, lint-free cloth.

Maintaining the equipment

For work on the equipment you will need the following tools:

- ▶ Combination spanner A.F. 24 mm, DIN 3113, form B
- ▶ Hexagon screwdriver insert bit A. F.8 mm, DIN 7422
- ▶ Torque spanner (US: wrench) 20-100 Nm, DIN ISO 6789

Before assembling the equipment apply heat resistant lubricant to seating surfaces and threads. Suitable lubricants are for instance:

- ▶ OKS 217



Malfunctions may occur if the equipment is used with different types of condensate: The following condensates in particular cause problems:

- very oily condensates
- condensates that resinify or become gummy
- condensates that recrystallize
- condensates that contain solid matter.

In these cases check the equipment at regular intervals for contamination and, if necessary, remove dirt deposits. To reduce contamination we recommend installing a sedimentation vessel or a dirt pocket arrangement upstream of the equipment.

Normally you do not have to clean the internal parts of the equipment.

To clean the equipment completely take off the cover and remove the control unit.

Removing cover

- Undo the four socket-head cap screws of the body.
- Lift the cover off the body.
- Remove the gasket.
- For the disposal of the gasket observe the pertinent on-site regulations concerning waste disposal.

Removing control unit

- Take the cover off the body as described in section "Removing cover" from page 12 onwards.
- To remove the control unit unscrew the nozzle insert off the body.

Cleaning the equipment

Check the equipment at regular intervals for contamination. The intervals depend on the amount of dirt in the system. The operator must determine the maintenance intervals.

Normally you do not have to clean the internal parts of the equipment.

To clean the equipment completely take off the cover and remove the control unit.

- Take out the strainer.
- To remove dirt deposits rinse the equipment with fresh water and wipe it with a clean, lint-free cloth.
- To remove any persistent residues use a cleaning agent that is suitable for the material and carefully wipe the equipment with a clean, lint-free cloth.
- Remove any parts that are dirty and cannot be cleaned properly.

Cleaning and checking the membrane regulator capsule

- Take the membrane regulator capsule off the nozzle insert as described in section "Exchanging the membrane regulator capsule" from page 15 onwards.
- Use a depth gauge to check the dimension x of the membrane regulator capsule as shown in the following drawing.



The membrane regulator capsule is intact if dimension x exceeds 4.4 mm.

- Discard and replace defective membrane regulator capsule with a new one.

Checking the component parts for damage

- Check the removed parts for visible signs of wear or damage.
- Discard and replace any damaged part.

Mounting the control unit

- Clean all component parts before re-assembly.
- Apply heat-resistant lubricant to the following components:
 - all threads
 - the seating surface of the nozzle insert
 - the seating surface of the cover
- Put the strainer into the body.
- To mount the control unit unscrew the nozzle insert into the body.
- Tighten the nozzle insert to a torque of 90 Nm.
- Attach the cover to the body as described in section "Mounting cover" from page 13 onwards.

Mounting cover

Attention!

Equipment may leak if the gasket is damaged.

- It is therefore essential that you always insert a new gasket before re-attaching the cover.
- Make sure that the cover is not tilted or skewed when refitted.

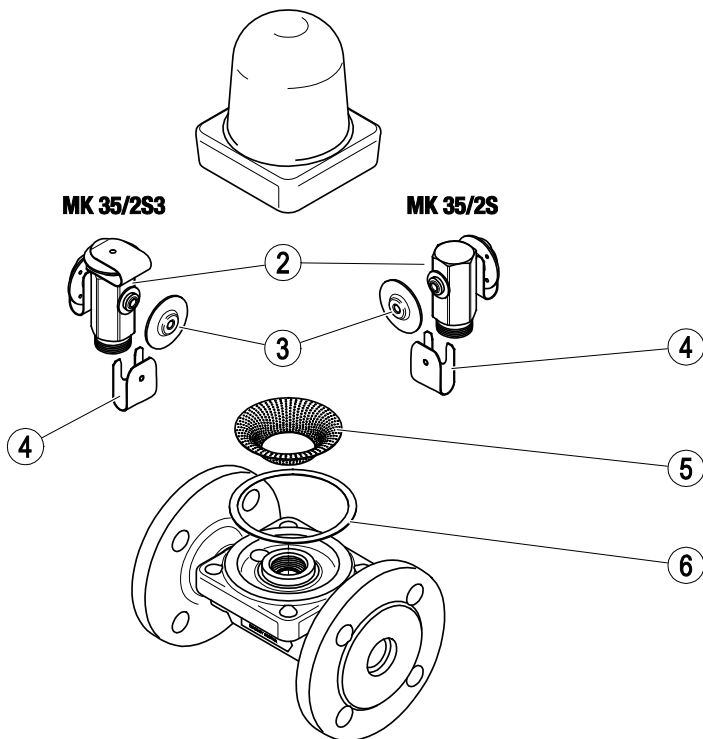
-
- Clean the gasket surfaces of the cover and body.
 - Apply heat-resistant lubricant to the threads of the socket-head cap screws and the gasket surface of the cover.
 - Insert a new gasket in the body.
 - Put the cover onto the body.
 - Use the four screws to fix the cover to the body.
 - Tighten the screws with a torque of 35 Nm.

Servicing the equipment

You may exchange the following component parts in case of wear or damage:

- ▶ Control unit, complete
- ▶ Membrane regulator capsule
- ▶ Strainer
- ▶ Cover gasket

Spare Parts



No.	Designation	Stock code #	
		MK 35/2S	MK 35/2S3
2, 3, 4, 6	Control unit, complete	376730	376731
3	Membrane regulator capsule 5H2 ¹	376174	
5	Strainer with gasket	376732	
6	Gasket	560493	

1 Minimum purchasing quantity 10 pcs. Contact your local dealer for smaller quantities.

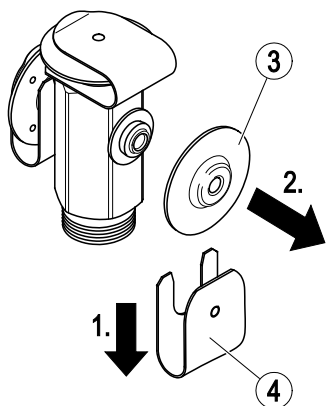
2 Minimum purchasing quantity 20 pcs. Contact your local dealer for smaller quantities.

Exchanging the control unit

- Take the cover off the body as described in section "*Removing cover*" from page 12 onwards.
- Remove the control unit as described in section "*Removing control unit*" from page 12 onwards.
- Attach the control unit to the body as described in section "*Mounting the control unit*" from page 12 onwards.
- Take the cover off the body as described in section "*Removing cover*" from page 12 onwards.

Exchanging the membrane regulator capsule

- Take the cover off the body as described in section "*Removing cover*" from page 12 onwards.
- Remove the control unit as described in section "*Removing control unit*" from page 12 onwards.
- Pull the retaining clip (4) off the control unit as shown (1.).
- Take the membrane regulator capsule (3) off the control unit as shown (2.).

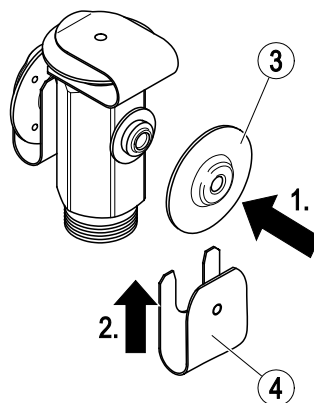


Install the new membrane regulator capsule as follows:

- Press the membrane regulator capsule (3) onto the seat on the nozzle insert until it snaps into place (1.).

Slide the tongues of the retaining clip (4) into the groove underneath the membrane regulator capsule.

- Slide the retaining clip (4) as shown onto the control unit until it snaps into place (2.).



Replacing strainer

- Take the cover off the body as described in section "*Removing cover*" from page 12 onwards.
- Remove the control unit as described in section "*Removing control unit*" from page 12 onwards.
- Lift the strainer off the body.
- Clean gasket seating surfaces.
- Put the new strainer into the body.
- Attach the control unit to the body as described in section "*Mounting the control unit*" from page 12 onwards.
- Attach the cover to the body as described in section "*Mounting cover*" from page 13 onwards.

Troubleshooting

Problem	Cause	Remedy
The steam trap is cold or only hand-hot.	The shut-off valves for condensate inlet or outlet are closed.	Open the isolating valves.
	The condensate inlet or outlet is dirt clogged.	Clean the pipes. Clean the equipment.
The steam trap is blowing off live steam.	The membrane regulator capsule and the nozzle insert are dirty. There are dirt deposits in the equipment.	Clean the membrane regulator capsule and the nozzle insert. Clean the strainer and the equipment. Replace the membrane regulator capsule and the nozzle insert.
	The membrane regulator capsule and the nozzle insert are worn down. The seat is leaking.	Replace the membrane regulator capsule and the nozzle insert.
	The bypass is open.	Close the bypass.
Insufficient condensate discharge. Insufficient thermal output of the user.	The shut-off valves for condensate inlet or outlet are closed.	Open the isolating valves.
	The condensate inlet or outlet is dirt clogged.	Clean the pipes. Clean the equipment. Replace the membrane regulator capsule and the nozzle insert.
	Steam pressure and condensate flowrate fluctuate considerably. The pressure upstream of the steam trap is too low for the used trap type.	Use a different steam trap type. Contact the manufacturer to find out which trap type is the most suitable for your application.
	The steam trap is undersized.	Use a steam trap with a larger condensate discharge capacity.
	The differential pressure is too small.	Increase the steam pressure. Lower the pressure in the condensate line. Check the size of the condensate line. Install a steam trap with a larger condensate discharge capacity, a pump steam trap or a condensate return unit.

Problem	Cause	Remedy
	The distance between the drain point and the steam trap is too small.	Install the uninsulated steam trap approx. 1–2 m away from the drain point. Do not insulate the condensate line and lay it with a gradient so that the condensate is free to fall towards the steam trap.
	The condensate line does not have a slight fall from the drain point towards the steam trap. The condensate is lifted upstream of the steam trap.	Lay the condensate line with a gradient so that the condensate is free to fall towards the steam trap. Change the orientation of the condensate line.
	The condensate temperature is higher than the service temperature of the steam trap. The regulator does not open or only with a time delay.	If the steam trap or the condensate line is insulated remove the insulation. Use a different steam trap type.
	Insufficient deaeration.	Provide additional deaeration. Use a different steam trap type. Contact the manufacturer to find out which trap type is the most suitable for your application.
Fluid escapes (equipment is leaking).	The end connections are not tight.	Seal off the end connections (e. g. flanged or screwed ends).
	A gasket on the body is defective.	Replace the gasket with a new one.
	The body has been damaged by corrosion or erosion.	Check the resistance of the body material for the fluid used. Use a steam trap made from a material that is suitable for the fluid used.
	The equipment has been damaged by frost.	Replace the equipment with a new one. When shutting down the installation make sure that the condensate lines and the steam trap are completely drained.
	The equipment has been damaged by waterhammer.	Replace the equipment with a new one. Take appropriate measures to protect the equipment against waterhammer, e. g. by installing suitable non-return valves.

- If faults occur that are not listed above or cannot be corrected, please contact our Technical Service or authorized agency in your country.

Putting the equipment out of operation

Removing harmful substances



DANGER

If the equipment is used in contaminated areas there is a risk of severe injuries or death caused by harmful substances in or on the equipment.

- Only qualified personnel are allowed to perform work on contaminated equipment.
- Always wear the protective clothing prescribed for contaminated areas when working on the equipment.
- Make sure that the equipment is completely decontaminated before carrying out any service work.
- Follow the pertinent instructions for handling the hazardous substances in question.

Qualified personnel must have extensive experience with and a working knowledge of:

- ◆ pertinent rules and regulations concerning handling hazardous substances
- ◆ special regulations for handling the hazardous substances encountered on site
- ◆ using the required personal protective equipment (PPE) and clothing

Attention!

Environmental damage may be caused by poisonous fluid residues.

- Before disposing of the equipment make sure that it is clean and free of fluid residues.
 - For the disposal of all materials observe the pertinent legal regulations concerning waste disposal.
-
- Remove all residues from the equipment.
 - For the disposal of all residues observe the pertinent legal regulations concerning waste disposal.

Removing the equipment



DANGER

Personnel working on pipes are exposed to safety risks and may suffer severe injuries, poisoning or even loss of life.

- Make sure that no hot or hazardous fluid is in the equipment or the pipes.
- Make sure that the pipes upstream and downstream of the equipment are depressurised.
- Make sure that the installation is switched off and protected against unauthorised or unintended activation.
- Make sure that the equipment and the pipes have cooled down to room temperatures.
- Wear protective clothing that is suitable for the fluid and, if necessary, wear protective gear.

For more information on suitable safety clothing and safety gear refer to the safety data sheet of the fluid in question.



CAUTION

Danger of bruising if the equipment falls down.

- When removing the equipment make sure the it is safely held in place and cannot fall down.

Suitable measures are for instance:

- ◆ Equipment that is not too heavy may be supported by a second person.
- ◆ For heavy equipment use suitable lifting equipment of sufficient strength.
- Detach the end connections of the equipment from the pipes.
- Put the equipment onto a suitable base.
- Store the equipment as described in section "Storing the equipment" on page 8.

Re-using equipment after storage

Observe the following instructions if you want to remove the equipment and use it again somewhere else:

- ◆ Make sure that the equipment is free of any fluid residues.
- ◆ Make sure that all connections are in good condition and leak-free.
- ◆ If necessary re-work welded connections in order to ensure that they are in good working condition.
- Use the equipment only for its intended purpose and the service conditions for which it was specified.

Disposing of the equipment

Attention!

Environmental damage may be caused by poisonous fluid residues.

- Before disposing of the equipment make sure that it is clean and free of fluid residues.
- For the disposal of all materials observe the pertinent legal regulations concerning waste disposal.

The equipment is made from the following materials:

Component	EN number	ASTM
Body and cover	1.0460 (P250GH)	A105
Screws	1.7225 (42CrMo4)	A193 B7
Gasket	Graphite/CrNi	
Membrane regulator capsule	Hastelloy®/ Stainless steel	
Other internals	High grade steels	

Technical data

Dimensions and weights

All types

	Flanges	Screwed sockets socket-weld ends
Height [mm]	124	
Length [mm]	160	95
Width [mm]	84	
Width of cover [mm]	82	
Space required for removing cover [mm]	60	
Weight [kg]	6.3	3.9

Pressure & temperature ratings

Max. differential pressure Δ PMX: 32 bar

Pressure & temperature rating PN40

End connection	Flansche PN 40, EN 1092-1, WG 3E0					
PMA (admissible service pressure) [barg]	40.0	33.3	27.6	25.7	23.8	13.1
TMA (admissible temperature) [°C]	-10/20	200	300	350	400	450

Pressure & temperature rating CLASS 150

End connection	Flange to ASME Class 150, B16.34, Group 1.1					
PMA (admissible service pressure) [barg]	19.6	13.8	10.2	8.4	6.5	5.5
TMA (admissible temperature) [°C]	-29/38	200	300	350	400	425

Pressure & temperature rating CLASS 300

End connection	Flange to ASME Class 300, B16.34, Group 1.1					
PMA (admissible service pressure) [barg]	51.1	43.8	39.8	37.6	34.7	28.8
TMA (admissible temperature) [°C]	-29/38	200	300	350	400	425

Manufacturer's Declaration

For more information on the Conformity Assessment according to European rules refer to our Declaration of Conformity or our Declaration by Manufacturer.

To download the current Declaration of Conformity or Declaration by Manufacturer go to www.gestra.com/documents or contact:

GESTRA AG

Münchener Straße 77

28215 Bremen

Germany

Telefon +49 421 3503-0

Telefax +49 421 3503-393

E-Mail info@de.gestra.com

Web www.gestra.de

This declaration is no longer valid if modifications are made to the equipment without consultation with us.



Agencies all over the world: www.gestra.de

GESTRA AG

Münchener Straße 77

28215 Bremen

Germany

Telefon +49 421 3503-0

Telefax +49 421 3503-393

E-Mail info@de.gestra.com

Web www.gestra.de

810740-04/07-2017 kx_mm (808550-02) © GESTRA AG Bremen Printed in Germany