



GESTRA® Flash Vessels · Product Range Group C3

VD 11  
VD 12  
VD 13

Flash Vessels  
VD 11, VD 12, VD 13

VD 11

Pressure/Temperature Rating

Max. service pressure	..... 4 bar g
	..... 58 psi g
Max. temperature	..... 200 °C

Volume: 50 l up to 4 bar g (58 psi g).  
100 l up to 2 bar g (29 psi g).  
50/400/800/1400 l up to 1 bar g (14.5 psi g).  
TÜV inspection not required in Germany.

Higher pressures, temperatures, capacities, as well as additional connection and different nominal sizes (DN) on request.

VD 12

Pressure/Temperature Rating

Max. service pressure	..... 8 bar g
	..... 115 psi g
Max. temperature	..... 250 °C

TÜV inspection not required in Germany.

Higher pressures, temperatures, capacities, as well as additional connection and different nominal sizes (DN) on request.

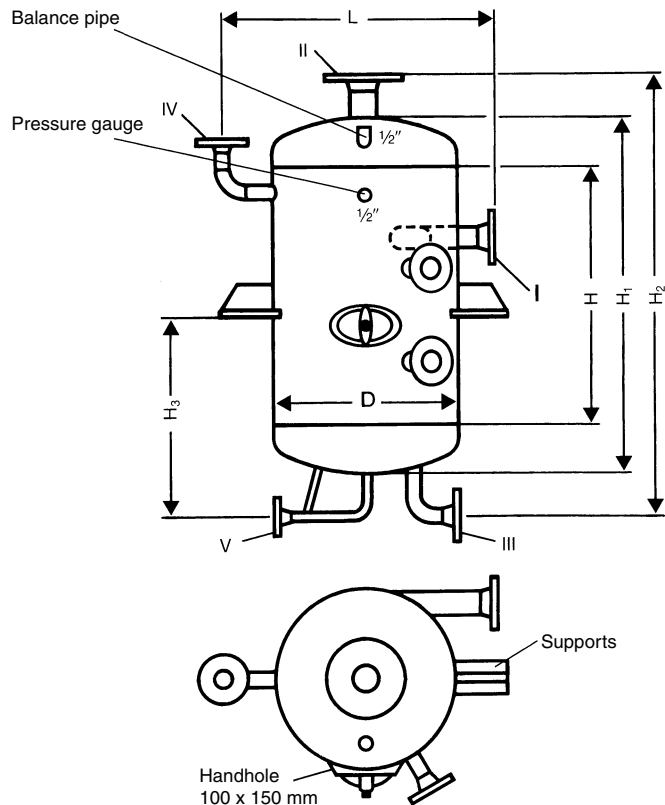
VD 13

Pressure/Temperature Rating

Max. service pressure	..... 13 bar g
	..... 185 psi g
Max. temperature	..... 250 °C

TÜV inspection not required in Germany.

Higher pressures, temperatures, capacities, as well as additional connection and different nominal sizes (DN) on request.



Condensate flowrate	t/h	1.2	2.5	8	20	40
Volume	l	50	100	400	800	1400
Dimensions in mm	D	324	400	600	800	1000
	H	625	625	1250	1500	1500
	H <sub>1</sub>	811	840	1550	1890	1970
	H <sub>2</sub>	1011	1040	1850	2190	2270
	H <sub>3</sub>	493	500	1000	1095	1150
L		560	650	900	1100	1300
Connections:						
I Condensate inlet	DN mm	40	65	100	125	200
II Flash steam	DN mm	40	80	100	150	300
III Condensate outlet	DN mm	40	50	80	100	150
IV Safety valve	DN mm	25	40	50	80	150
V Drain	DN mm	20	20	20	20	20
Material without TÜV inspection		Steel – DIN reference: St 37-2 (ASTM equivalent: A 283 Grade C)				
Material with TÜV inspection		Steel – DIN reference: H II (ASTM equivalent: A 414 Grade C)				
Approx. weight	VD 11 kg	85	100	150	225	410
	VD 12 kg	100	110	160	245	500
	VD 13 kg	105	120	190	325	610

# Flash Vessels

## VD 11, VD 12, VD 13

### Description

The condensate from high-pressure steam users is fed laterally into the flash vessel. The flash steam formed during the flashing of the condensate is discharged into the low-pressure steam system. The condensate level in the vessel is either maintained by an electro-pneumatic control system (Fig. 1) or by a float trap (Fig. 2).

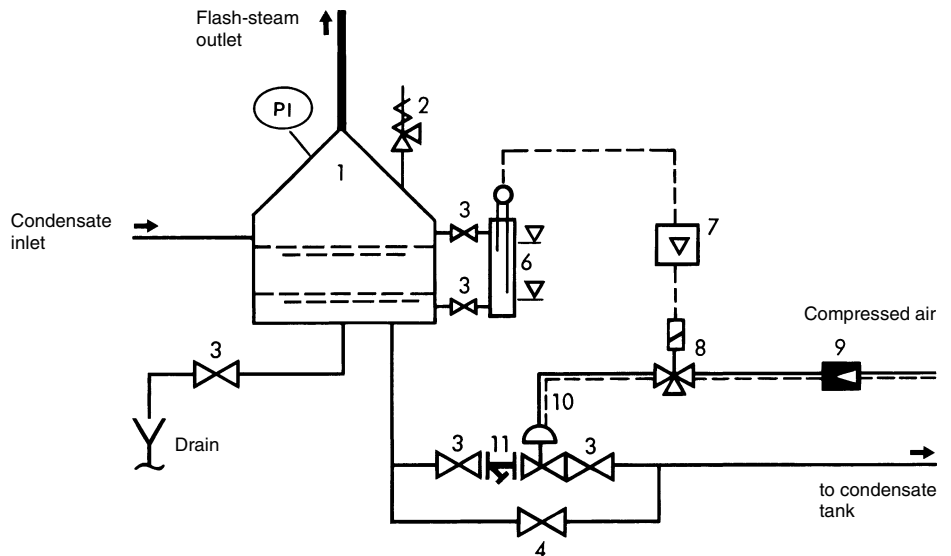


Fig. 1: Flash vessel with electro-pneumatic level control

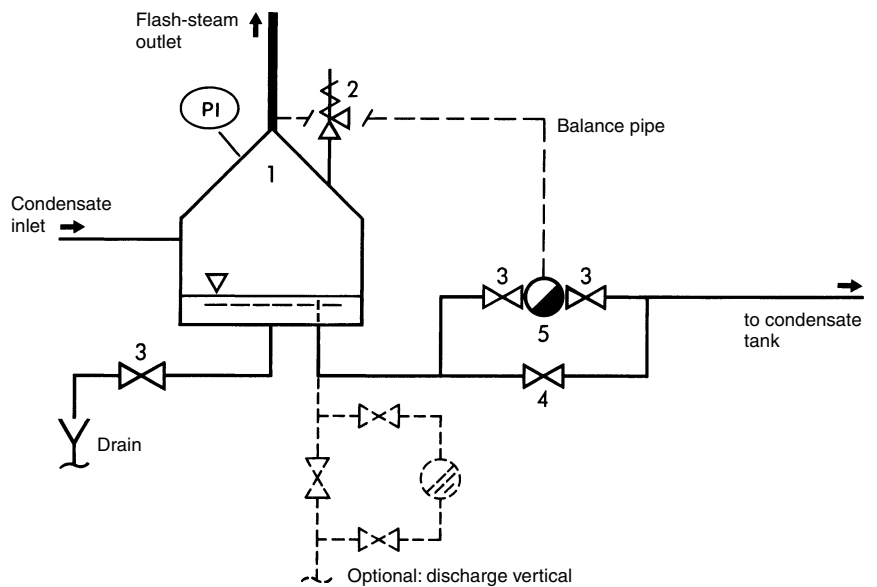


Fig. 2: Flash vessel with float-controlled steam trap

- 1 Flash vessel type VD
- 2 Safety valve
- 3 Isolating valve
- 4 Isolating valve for bypass
- 5 Float trap type UNA 2
- 6 Measuring pot with 1 level electrode type ER
- 7 Level controller
- 8 3-way solenoid valve
- 9 Pressure-reducing station
- 10 Diaphragm valve
- 11 Strainer

Supply in accordance with our general terms of business.



**GESTRA GmbH**

P. O. Box 10 54 60, D-28054 Bremen  
Münchener Str. 77, D-28215 Bremen

Telephone +49 (0) 421 35 03-0, Fax +49 (0) 421 35 03-393  
E-Mail gestra.gmbh@flowserve.com, Internet www.gestra.de



Flow Control Division