

GESTRA DISCO® Non-Return Valves

Type RK 86 and RK 86A, up to PN 40 / Class 300



GESTRA

Spring cap ▶

The special shape always guarantees a centralized positioning of the spring.
Material: austenitic steel.

Guiding ▶

Four guide ribs are used to ensure low-wear operation. From DN 125 (5"), the valve cone is guided by a spindle/sleeve arrangement.

Centering ▶

With centering cams on the body.

Valve disc ▶

Austenitic steel, metal-to-metal or soft seat.

Springs ▶

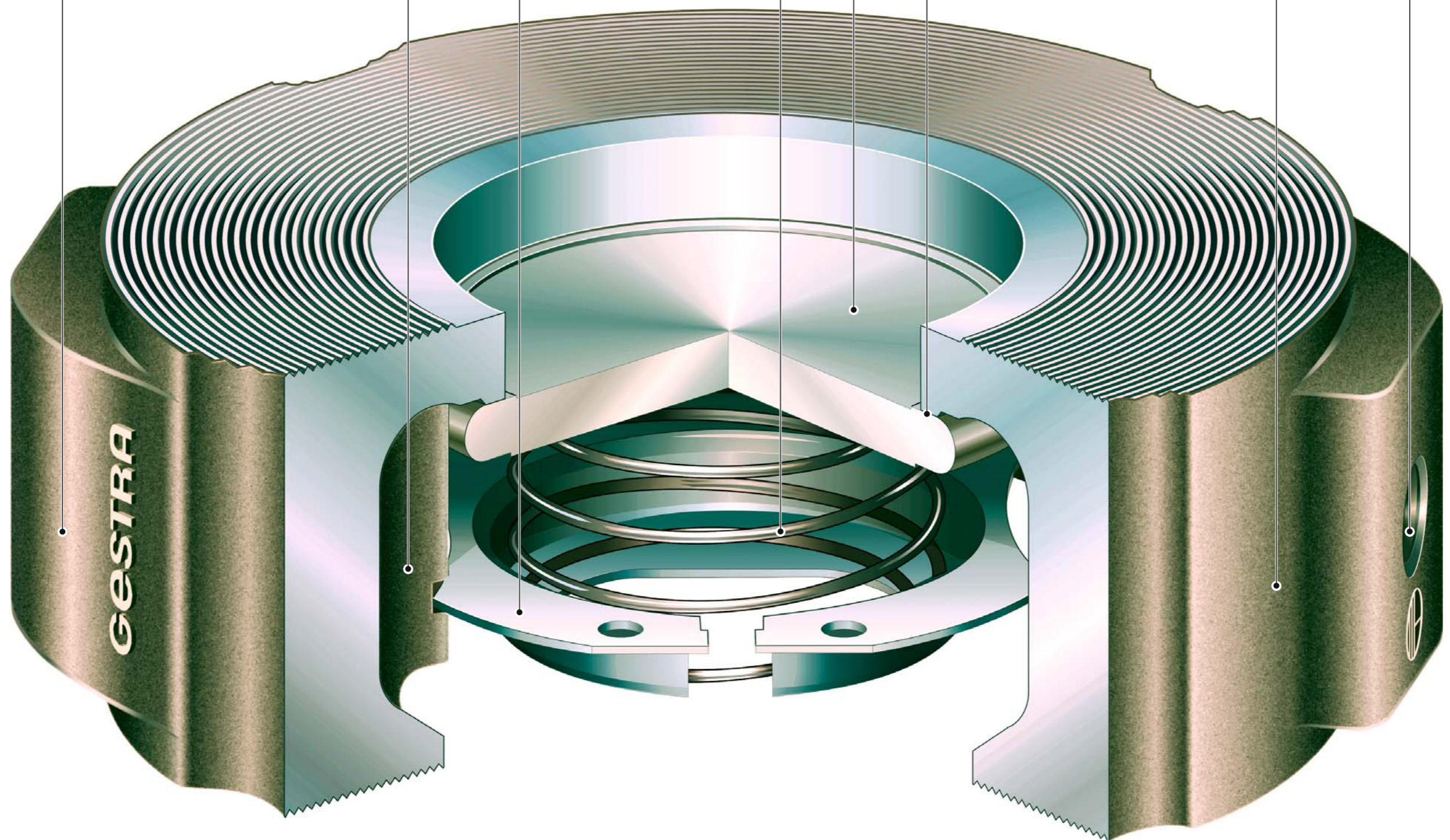
Different springs permit variation of the opening pressure to meet diverse operating requirements.
Material: austenitic steel, Nimonic or Inconel.

Tightness ▶

Thanks to special machining, the degree of tightness lies well within the tolerances permitted in DIN 3230.

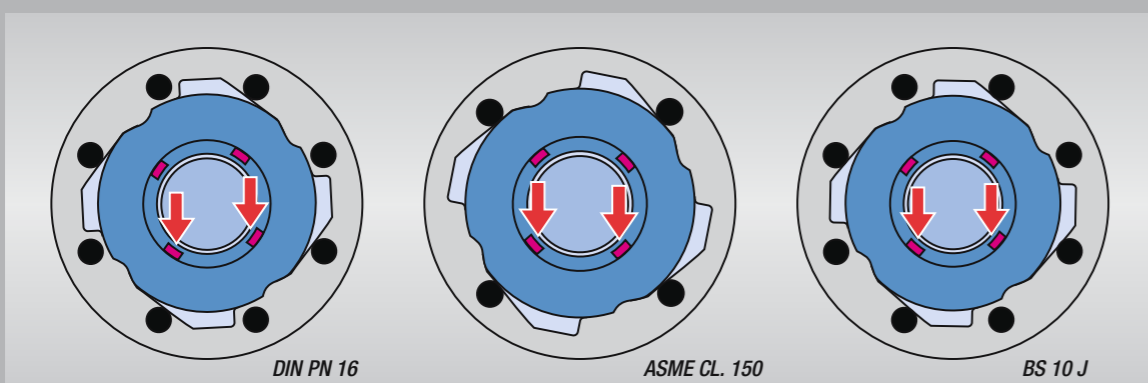
Antistatic connection ▶

Body ▶
Various materials and overall lengths, complies with DIN EN 558-1, series 49.



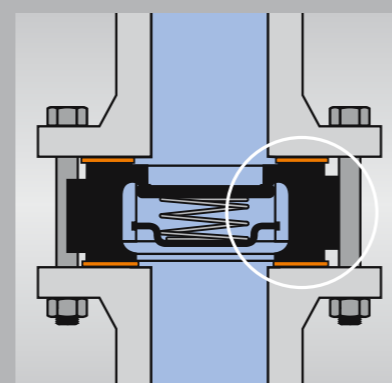
Special features

Patented centering



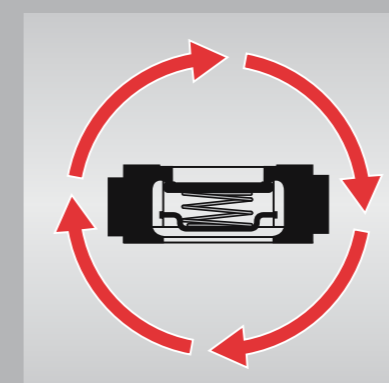
The patented centering mechanism of the RK 86/86A functions directly through the body itself. Low wear is ensured through four integrated guide ribs arranged so that, independently of the flange standard (DIN, ASME or BS), the valve disc of the RK 86/86A always lies against two of the guide ribs.

Wide contact surfaces



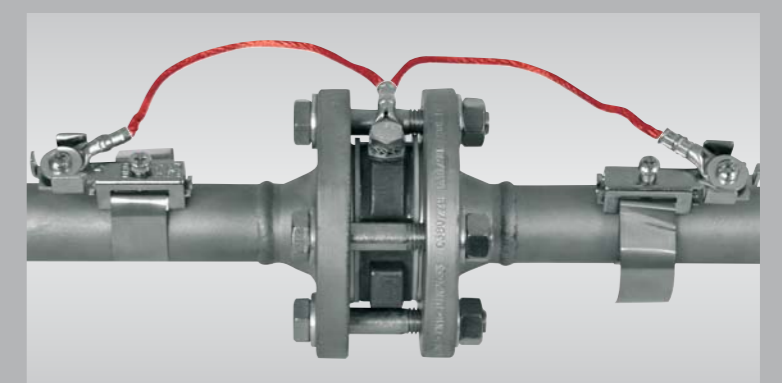
They ensure optimum, uniform pressure at the flange sealing surfaces (at both inlet and outlet).

Installation position



Installation in any position.

Standard antistatic connection



To prevent any accumulation of static charge, the RK 86/86A types for DN 15–100 (1/2–4") have a standard threaded hole for connecting an earth lead.