

**Application**

<b>BA 46, BA 47, BA 210, BA 211, ZK 29</b>	Valve with adjustable stage nozzle and sample valve for continuous blowdown of steam boilers and evaporators.
<b>BAE 46, BAE 47, BAE 210, BAE 211, ZKE 29</b>	Valve with adjustable stage nozzle, sample valve, and electric actuator for automatically controlled continuous blowdown. Especially suited for boilers operating without constant supervision (TRD 604).

**Pressure/Temperature Rating** According to EN 1092-1 for: 1.0460 in accordance with PED and AD 2000 or A105 according to Pressure Equipment Directive (PED).

Type	Ratings according to		Max. pressure [bar] at [t] = ts/p max
<b>BA 46 / BAE 46</b>	PN 40 1.0460	EN 1092-1	234/29
	PN 40 A105	EN 1092-1	246/36
	Class 150 A105	ASME B16.34	198/14
	Class 300 A105	ASME B16.34	254/42
<b>BA 47 / BAE 47</b>	PN 63 1.0460	EN 1092-1	257/44
	PN 63 A105	EN 1092-1	271/55
	Class 400/600 A105	ASME B16.34	270/55
<b>BA 210 / BAE 210</b>	PN 250 1.0460	EN 1092-1	344/151
<b>BA 211 / BAE 211</b>	PN 320 1.7335	EN 1092-1	374/220
<b>ZK 29 / ZKE 29</b>	PN 160 1.7335	EN 1092-1	336/138

**End connections**

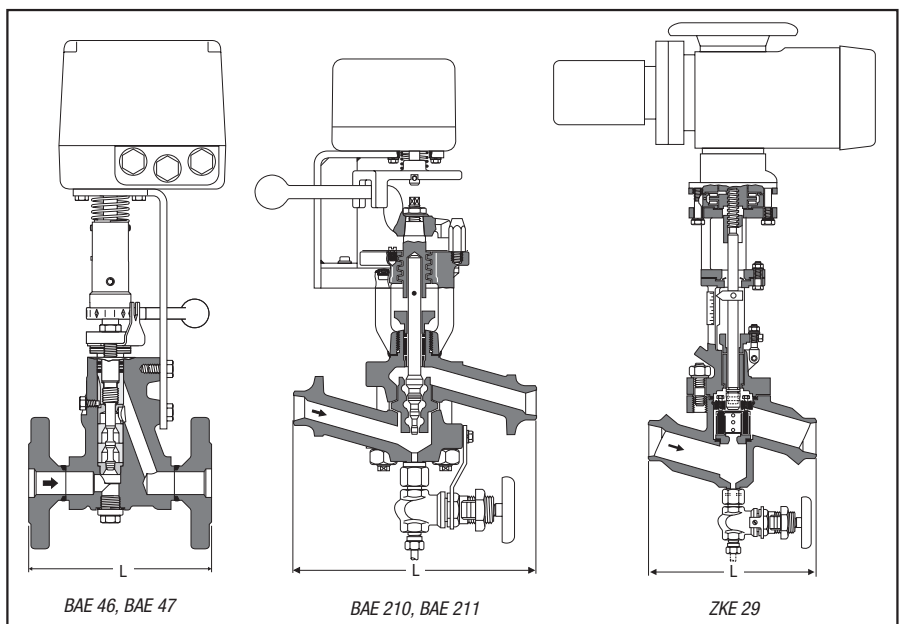
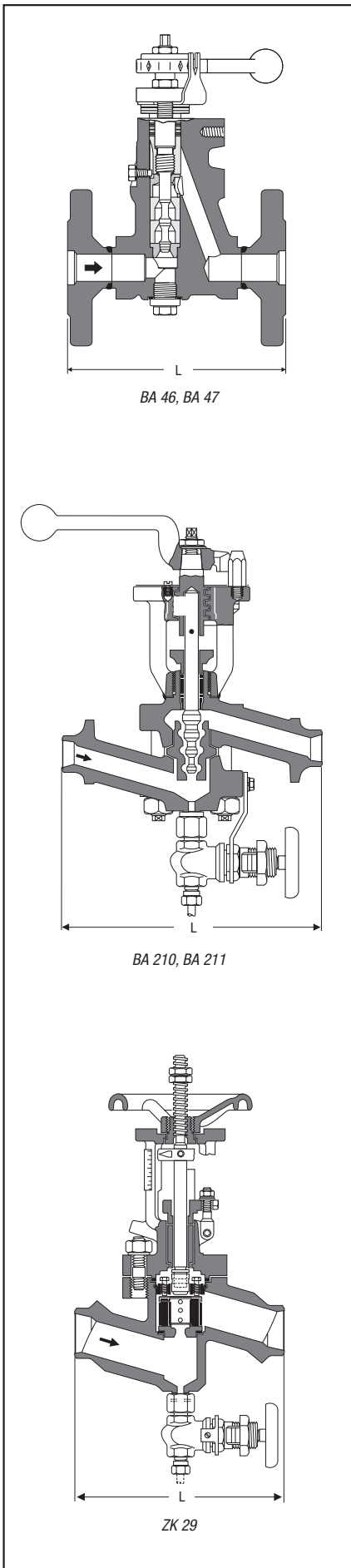
Type	Flanged DIN	Flanged ANSI	Socket-weld	Butt-weld
<b>BA 46 / BAE 46</b>	●	●	●	–
<b>BA 47 / BAE 47</b>	●	●	●	–

**Dimensions BA 46, BAE 46 [mm]**

Connections	DN	15	20	25	32	40	50
Flanged DIN	L	150	150	160	180	200	230
Flanged ANSI Class 150	L	150	150	160	180	230	230
Flanged ANSI Class 130	L	150	150	160	180	230	230
Socket-weld	L	200	200	200	200	250	250

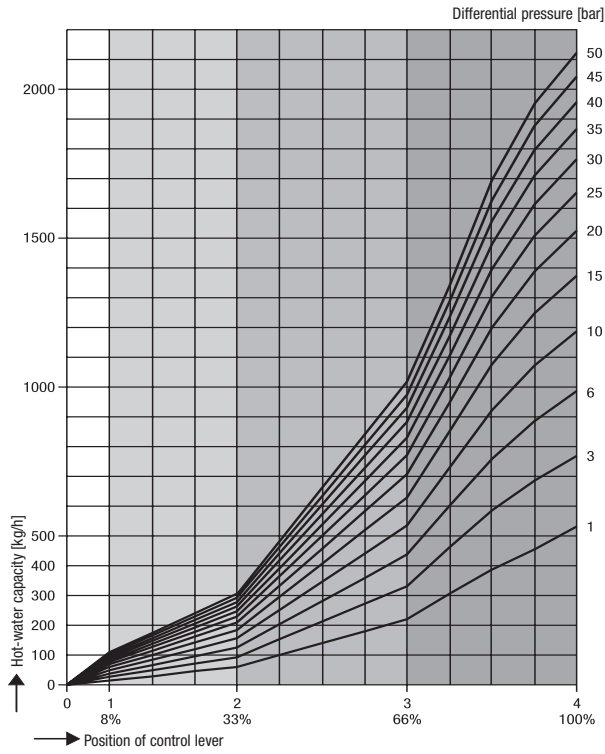
**Dimensions BA 47, BAE 47 [mm]**

Connections	DN	15	20	25	32	40	50
Flanged DIN	L	–	–	190	–	220	250
Flanged ANSI Class 600	L	–	–	216	–	216	250
Socket-weld	L	–	–	200	–	250	250

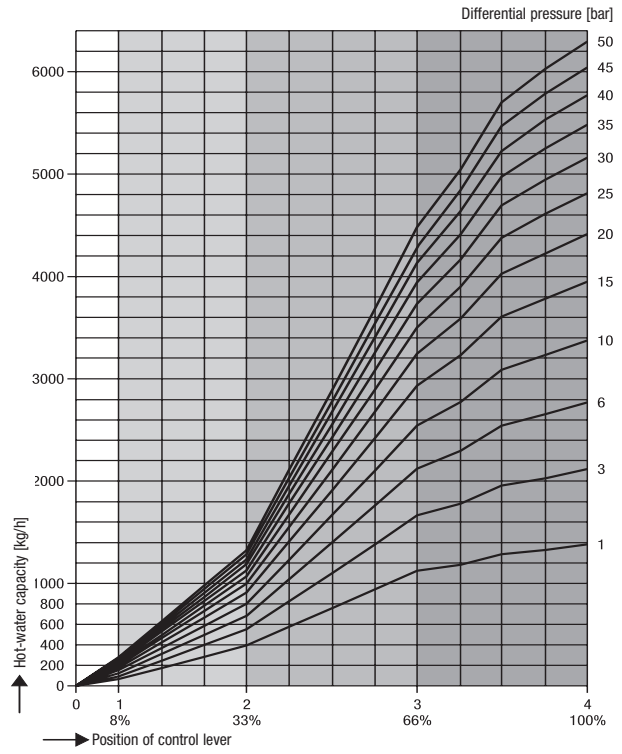


**Capacity Charts**

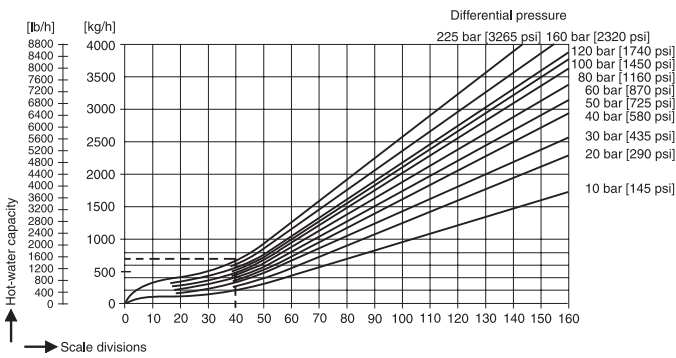
**Chart 1:** BA 46, BA 47, DN 15-32  
BAE 46, BAE 47, DN 15-32



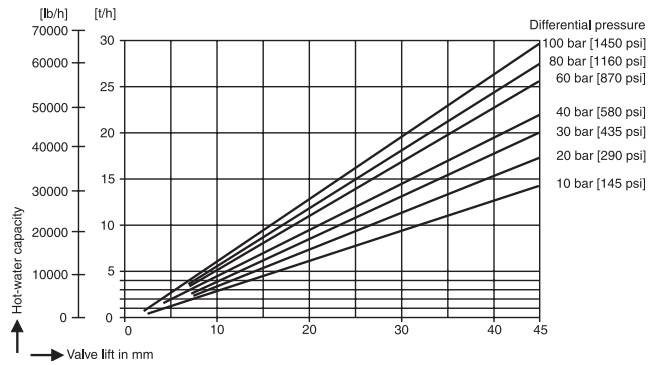
**Chart 2:** BA 46, BA 47, DN 40/50  
BAE 46, BAE 47, DN 40/50



**Chart 3:** BA 210, BA 211  
BAE 210, BAE 211



**Chart 4:** ZK 29  
ZKE 29



1) For relatively small quantities (dotted line in chart) use 210 k or 211 k (with special stage nozzle).

**Chart 5:** BAE 210k, 211k

