

GESTRA Steam Systems

Product Range A7

Strainers

GSF 310
PN 25-160, DN 15-300
GSF 310

System Description

Strainers with internal screen made of corrosion and acid-resistant stainless steel wire gauze.

Strainers from DN 65 are equipped with additional support baskets.

Overall length conforming to DIN EN 558-1, series 1, flanges to DIN.

Special Designs

Screen of other materials and any mesh size.

Special corrosion resistant coatings.

Screen cover with plug or blowdown valve.

Flanged connections to other standards (BSI, ANSI etc.).

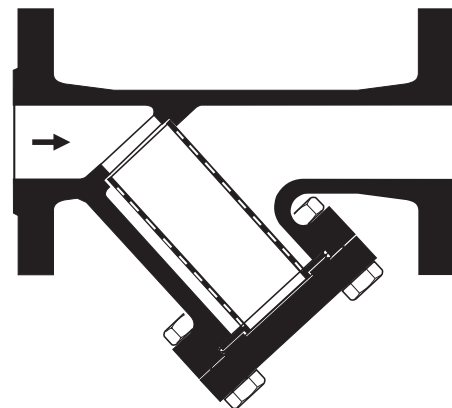
Butt-weld ends.

Y-type strainers with flanged connections of grey-cast iron (PN 6, 10, 16) see data sheet for types GSF 300.

Y-type strainers with screwed connections see data sheet for types GSF 330.

Cylinder-type strainers and strainers see data sheet for types GSF 340.

Type	PN	Body	Strainer	Support basket
GSF 312	25/40	GP240GH (1.0619)	1.4401	1.4571
GSF 313	63	GP240GH (1.0619)	1.4401	1.4571
GSF 314	100/160	GP240GH (1.0619)	1.4401	1.4571
GSF 315	25/40	G17CrMo5-5 (1.7357)	1.4401	1.4571
GSF 316	63	G17CrMo5-5 (1.7357)	1.4401	1.4571
GSF 317	100/160	G17CrMo5-5 (1.7357)	1.4401	1.4571
GSF 319	16	GX5CrNiMo19-11-2 (1.4408)	1.4401	1.4571
GSF 320	25/40	GX5CrNiMo19-11-2 (1.4408)	1.4401	1.4571



Strainers

GSF 310

PN 25-160, DN 15-300

Dimensions

On request, the strainers are available with an additional fine screen, mesh size 0.25 mm. Coarse or fine screens with mesh size or wire thickness differing from those indicated below are available on request.

Order and Enquiry Specifications

GESTRA Strainers

Type GSF

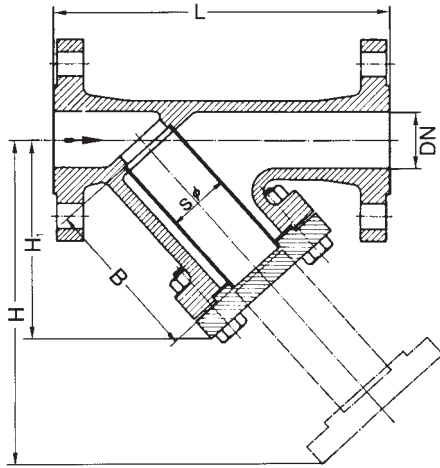
DN, PN

Connections

Mesh size

Body: GJS-400-18-LT, GP240GH,
G17CrMo 5-5, 1.4408.

Screen: stainless-steel wire gauze



Dimensions in mm and Weights for PN 16, 25, 40 – Materials: GP240GH, G17CrMo5-5, 1.4408

Nominal size [mm]	DN	15	20	25	32	40	50	65	80	100	125	150	200	250	300
Overall length GSF 312, 319-320	L	130	150	160	180	200	230	290	310	350	400	480	600	730	850
Overall height GSF 312, 319-320	H ₁	81	85	100	100	120	133	200*	210	250	313	362	475	530	620*
Overall height GSF 312, 319-320	H	118	125	130	146	168	177	330*	340	410	516	600	790	940	1030*
Overall height GSF 315	H ₁	60	75	85	90	125	135	180	175	215	310	345	450	510	645
Overall height GSF 315	H	100	120	135	145	200	220	300	285	360	515	570	745	845	1045
Screen diameter GSF 312, 319-320	S	19	25	29	37	45	55	70	85	105	130	157	207	255.5	280
Screen diameter GSF 315	S	15	20	25	32	40	50	68	85	95	120	130	180	220	280
Screen length GSF 312, 319-320	B	52	56	57	67	95	102	178.5	182.5	226.5	286.5	339.5	454.5	510	463
Screen length GSF 315	B	52	65	70	75	105	115	170	154	196	234	311	332	385	463
Mesh size GSF 312, 319-320	[mm]	0.6	0.6	0.6	0.6	0.6	0.6	1.2	1.2	1.2	1.2	1.2	1.5	1.5	1.5
Mesh size GSF 315	[mm]	0.6	0.6	0.6	0.6	0.6	0.6	1.2	1.2	1.2	1.2	1.2	1.5	1.5	1.5
Wire thickness GSF 312, 319-320	[mm]	0.4	0.4	0.4	0.4	0.4	0.4	0.6	0.6	0.6	0.6	0.6	0.8	0.8	0.8
Wire thickness GSF 315	[mm]	0.4	0.4	0.4	0.4	0.4	0.4	0.6	0.6	0.6	0.6	0.6	0.8	0.8	0.8
Weight PN 16 GSF 320	[kg]	2.6	3.8	4.7	6.5	8.3	11.8	16.1	22	28	46	70	125	156	275
Weight PN 25 GSF 320	[kg]	2.6	3.8	4.7	6.5	8.3	11.8	16.1	22.5	30.3	48	65.2	134.2	178	385
Weight PN 16 GSF 312	[kg]	2.6	3.8	4.7	6.5	8.3	11.8	16.1	22	28	46	70	125	156	275
Weight PN 25/40 GSF 312	[kg]	2.6	3.8	4.7	6.5	8.3	11.8	16.1	22.5	30.3	48	65.2	134.2	178	385
Weight PN 16 GSF 319	[kg]	2.6	3.8	4.7	6.5	8.3	11.8	16.1	22	28	46	70	125	156	275
Weight PN 25/40 GSF 320	[kg]	2.6	3.8	4.7	6.5	8.3	11.8	16.1	22.5	30.3	48	65.2	134.2	178	385
Weight PN 40 GSF 315	[kg]	2	3	4	6	8	11	15	20	28	44	61	144	178	385
K _{vs} value GSF 312, 319-320		5.2	8.7	13.2	20.5	31.2	45.6	83.4	127.8	200	301	433	737	1140	1248
K _{vs} value GSF 315		5.4	8.8	13	20.2	30.5	45.6	68.3	98.8	151	231	333	737	1140	1248
Zeta value GSF 312, 319-320		3	3.4	3.6	4	4.2	4.8	4.1	4	4	4.3	4.3	4.7	4.8	8.3
Zeta value GSF 315		2.8	3.3	3.7	4.1	4.4	4.8	6.1	6.7	7	7.3	7.3	4.7	4.8	8.3
Plug GSF 312, 319-320**)								½	½	1	1	1	1		

*) PN 25/40 DN 65 H₁ = 210, H = 340; DN 300 H₁ = 640, H = 1050 **) Not standard

Dimensions in mm and Weights for PN 63, 100, 160 – Materials: GP240GH, G17CrMo5-5

Nominal size [mm]	DN	15	20	25	32	40	50	65	80	100	125	150	200	250	300
Overall length GSF 313, 314, 316, 317	L	210	230	230	260	260	300	340	380	430	500	550	650		
Overall height GSF 313, 314, 316, 317	H ₁	120	130	135	155	175	185	200	260	295	360	365*	535		
Overall height GSF 313, 314, 316, 317	H	195	210	215	255	290	295	330	415	480	585*	570*	865*		
Screen diameter GSF 313, 316 PN 63	S	15	20	25	32	40	50	65	85	95	120	124	180		
Screen diameter GSF 314	S	15	20	25	32	40	50	65	85	95	120	124*	180		
Screen diameter GSF 317	S	10	20	25	32	40	50	65	85	95	120	124*	180		
Screen length GSF 313, 316 PN 63	B	96	103	110	128	126	144	173	182.5	206	244	281	369		
Screen length GSF 314, 317 PN 100/160	B	96	103	110	128	126	144	173	182.5	206	244	281*	369		
Mesh size GSF 313, 314, 316, 317	[mm]	0.6	0.6	0.6	0.6	0.6	0.6	1.2	1.2	1.2	1.2	1.2	1.5		
Wire thickness GSF 313, 314, 316, 317	[mm]	0.4	0.4	0.4	0.4	0.4	0.4	0.6	0.6	0.6	0.6	0.6	0.8		
K _{vs} value GSF 313, 314, 316, 317		5.3	8.7	12.8	20	26.5	40.8	67.2	97.3	148	225	433	551		
Zeta value GSF 313, 314, 316, 317		2.9	3.4	3.8	4.2	5.8	6	6.3	6.9	7.3	7.7	4.3	8.4		
Weight GSF 313, 316 PN 63	[kg]	7	10	12.5	17	22	26	42	72	91	154	150	390		
Weight GSF 314, 317 PN 100/160	[kg]	7	10	12.5	17	22	26	42	72	91	154	150*	390		

*) PN 160 H₁ = 370; S = 157; B 342; weight 220 kg

Service and Test Pressures

Type	PN	Water test pressure in body [bar]	Max. service pressure [bar g]												
			20 °C	120 °C	200 °C	300 °C	350 °C	400 °C	450 °C	500 °C					
GSF 312	25	37.5	25	25	22	17			13						
GSF 312	40	60	40	40	35	28			21						
GSF 313	63	95	63	63	50	40	36	32							
GSF 314	100	150	100	100	80	60	56	50							
GSF 314	160	240	160	160	130	96	90	80							
GSF 315	25	37.5	25	25	25	25	24	23	21	18					
GSF 315	40	60	40	40	40	40	38	34	39	29					
GSF 316	63	95	63	63	63	63	61	58	52	47					
GSF 317	100	150	100	100	100	100	95	91	87	74					
GSF 317	160	240	160	160	160	160	153	146	139	118					
GSF 319	16	24	16	12	10	8.5									
GSF 320	25	37.5	25	19	16	13.5									
GSF 320	40	60	40	30.5	26	21.5									

Supply in accordance with our general terms of business.

GESTRA AG

Münchener Straße 77, 28215 Bremen, Germany
 Telefon +49 421 3503-0, Telefax +49 421 3503-393
 E-mail info@de.gestra.com, Web www.gestra.de

