

Purpose and Application

Analogue indication of any physical quantity where the transmitter supplies an output signal in the form of a stabilized current.

Application, for example, with the GESTRA level transmitter type NRT 2-1b or level controller type NRR 2-2e for remote level indication, as well as with the conductivity transmitter type LRT 1-5b, 1-6b or the continuous blowdown controller type LRR 1-5b, LRR 1-6b, LRR 1-9e, LRR 1-10e for conductivity indication.

Design

URA 1-e: Case for panel mounting in accordance with DIN 43 700 for installation into panels of control desks or cabinets. Front panel horizontal. Optionally with lockable clear cover to protect the unit against spray water. Field case on request.

URA 2-e: As URA 1-e, but front panel vertical.

ARZ 4-c: Plug-in card in Europe size with front panel and 32 pole connector in accordance with DIN 41 612, as 19" slide-in unit with back-plane wiring and terminal block for external wiring. For 19" racks for combination with further 19" units of the GESTRA electronics product range. Front panel aluminium anodized. For these 19" slide-in units special cases or mounting panels are available. Please consult us.

Technical Data

Function

Indicator with LED analogue display for any physical quantity

Input

Stabilized current for the following ranges (selected by wire links)

0 1 mA, load 0 Ω

0 20 mA, load 100 Ω

4 20 mA, load 100 Ω

Indicators

LED analogue display with scale 0 . . . 100 %, other scales on request (e.g. mS/cm, μS/cm).

Resolution

URA 1-e, 2-e: 2.5 %

ARZ 4-c: 3.3 %

Mains supply

230 V, +10/-15 %, 48 . . . 63 Hz, 5 VA (other voltages on request)

Protection

URA 1-e, 2-e: IP 40 for front panel
 IP 55 with clear lid
 IP 00 for connecting terminals

ARZ 4-c: IP 00

Permissible ambient temperature

URA 1-e, 2-e: 0 . . . 55 °C

ARZ 4-c: 0 . . . 70 °C

Approx. weight

0.5 kg

Important Notes

The bar-chart indicators types URA and ARZ can be connected to all measuring transducers with current output 0 to 1,4 to 20, or 0 to 20 mA. For GESTRA measuring transducers see under "Associated Equipment".

Order and Enquiry Specifications

GESTRA bar-chart indicator with LED analogue display for any physical quantity:

Type URA 1-e (front panel horizontal) with or without clear cover or type URA 2-e (front panel vertical) with or without clear cover.

in a case for panel mounting for installation into control desks or cabinets.

Type ARZ 4-c, as 19" slide-unit for combination with other 19" units.

Mains supply 220 V, 48 . . . 63 Hz.

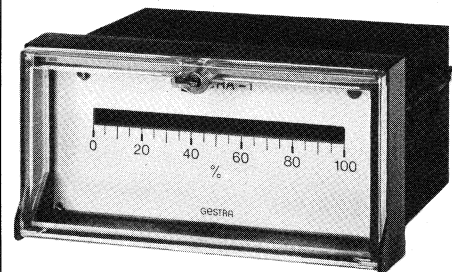
Associated Equipment

Level transmitter type NRT 2-1b with current output

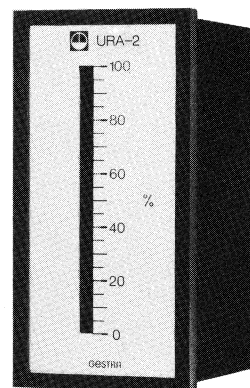
Level controller type NRR 2-2e (feed or drain control) as three-position stepping controller with current output

Continuous blowdown controller type LRR 1-5b as max.-min. conductivity limit switch or as continuous blowdown controller with current output

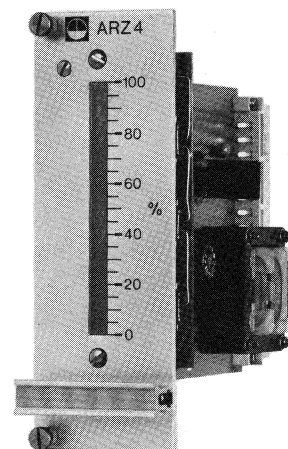
Conductivity transmitter type LRT 1-5b or LRT 1-6b with current output



*Bar-chart indicator URA 1-e
 (DIN case for panel mounting
 with clear lid)*

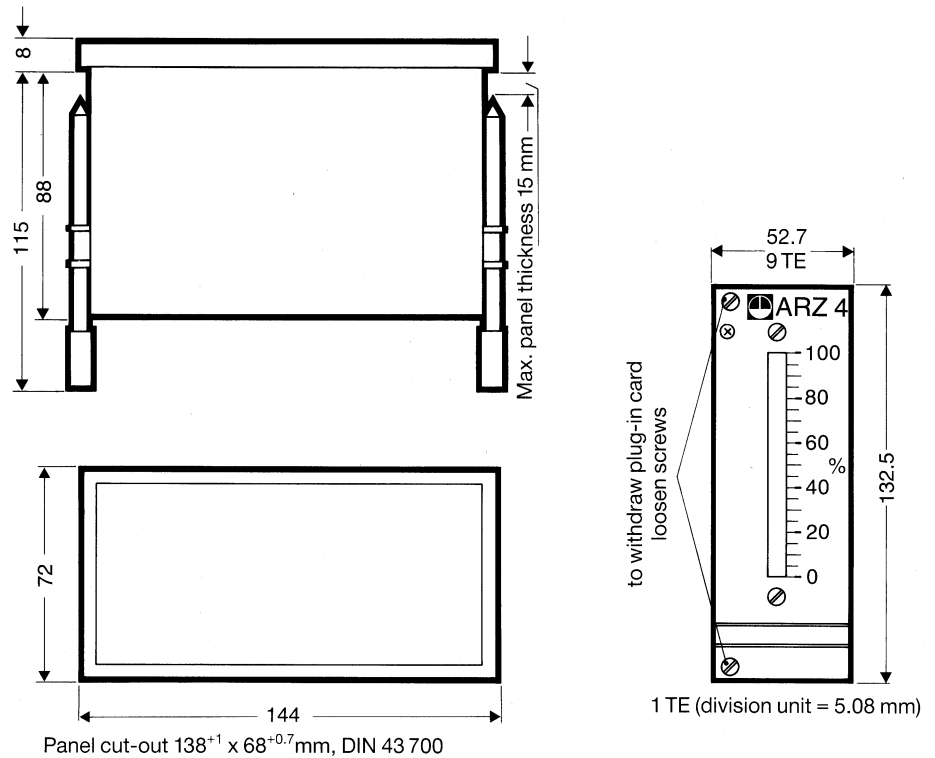


*Bar-chart indicator URA 2-e
 (DIN case for panel mounting)*



*Bar-chart indicator ARZ 4-c
 (19" slide-in unit)*

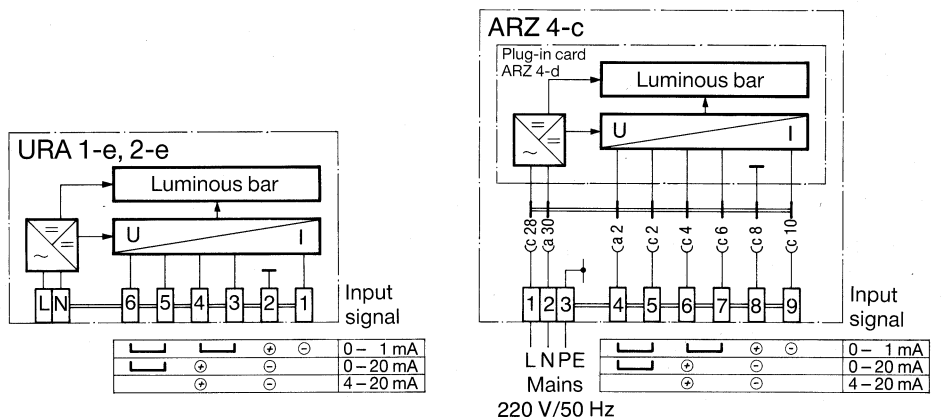
Dimensions



Dimensions of bar-chart indicators types URA 1-e (front panel horizontal) and URA 2-e (front panel vertical) (DIN case for panel mounting)

Dimensions of bar-chart indicator type ARZ 4-c (19" slide-in unit)

Wiring Diagrams



Wiring diagram for bar-chart indicators types URA 1-e, URA 2-e

Wiring diagram for bar-chart indicator type ARZ 4-c

Supply in accordance with our general terms of business.

Technical modifications reserved.