



URN 2



Installation Instructions 810401-01

Power Supply Unit URN 2



Contents

Page

Important Notes

| | |
|--------------------------------------|---|
| Usage for the intended purpose | 5 |
| Safety note | 5 |
| Danger | 5 |

Explanatory Notes

| | |
|--------------------------|---|
| Scope of supply | 6 |
| System description | 6 |
| Function | 6 |
| Design | 6 |
| Technical data | 7 |

Installation

| | |
|------------------------|---|
| Design "c" / "d" | 8 |
| Attention | 8 |
| Tools | 8 |

Wiring

| | |
|-----------------------------|---|
| Wiring diagram | 9 |
| Key to wiring diagram | 9 |
| Attention | 9 |

Commissioning

| | |
|----------------------------|----|
| Warning | 10 |
| Check wiring | 10 |
| Apply mains voltage | 10 |
| Check output voltage | 10 |

Annex

| | |
|---------------------------------|----|
| Warning | 11 |
| Fault finding list | 11 |
| Declaration of conformity | 11 |

Dimensions/Parts Drawings

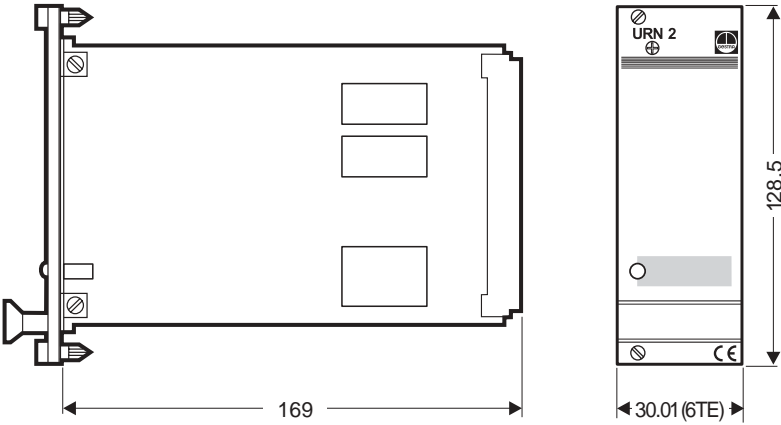
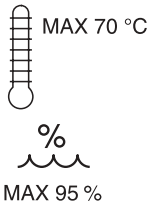
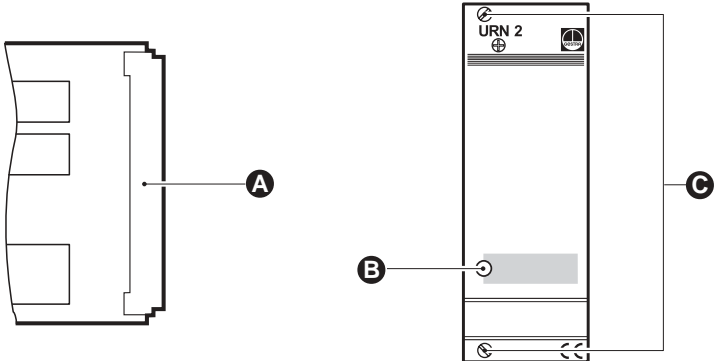


Fig. 1



IP 10

CE

Fig. 2

Key

- A** 32pole screw-type connector
- B** LED OPERATION
- C** Fixing screws

Important Notes

Usage for the intended purpose

Use power supply unit URN 2 only for the voltage supply of a maximum of four switching controllers type NRS 2-4 or NRS 2-5 and the cycling timer PRS 9.

Safety note

The equipment may only be installed by qualified staff.

Qualified staff are those persons who – through adequate training in electrical engineering, the use and application of safety equipment in accordance with regulations concerning electrical safety systems, and first aid & accident prevention – have achieved a recognised level of competence appropriate to the installation and commissioning of this critical safety device.



Danger

The terminal strip of the URN 2 is live during operation. This presents the danger of electric shock. Cut off power supply before opening the equipment and before inserting or removing the 19" slide-in unit.

Explanatory Notes

Scope of supply

URN 2, design “c”

- 1 Power supply unit type URN 2
- 2 Guide rails
- 1 32pole screw-type connector
- 1 Installation manual

URN 2, design “d”

- 1 Power supply unit type URN 2
- 1 Installation manual

System description

The power supply unit type URN 2 in combination with up to four level switches types NRS 2-4 or NRS 2-5 and the cycling timer type PRS 9 can be used as part of a controlled drainage system in power stations.

Function

The mains voltage is stepped down, rectified and provided as 24 V DC supply voltage to the level switches NRS 2-4 and the cycling timer PRS 9.

Design

Design “c”

19" slide-in unit with guide rails and 32pole screw-type connector for installation in 19" magazine acc. to DIN 41494, part 5.

Design “d”

19" spare slide-in unit

Technical data

Mains voltage

1115/230 V \pm 10 %, 50/60 Hz
24 V \pm 10 %, 50/60 Hz (optional)

Power consumption

10 VA

Output

5 x 24 V DC

Indicator and adjustor

1 green LED OPERATION

Protection

IP 10 to DIN EN 60529

Admissible ambient temperature

0 °C to +70 °C

Case

19" slide-in unit with front panel to DIN 41494 part 5 and rear 32 way Euro card connector to DIN 41612 for installation onto 19" magazine.
Front panel: Aluminium

Wiring

via 32 pole screw-type connector at the back of the 19" magazine, max. conductor size 1.5 mm².

Internal fuse


Glass cartridge fine-wire slow-blow fuse 500 mA, replaceable

Weight

approx. 0.6 kg

Installation

Design “c”/“d”

1. Install the guide rails and the screw-type connector in the 19" magazine.
2. Insert the 19" slide-in unit onto the guide rails until it hits the stop.
3. Tighten the fixing screws .



Attention

To provide sufficient ventilation, ensure a minimum spacing of 20 mm between adjacent units.

Tools

- Screwdriver for slotted screws, size 5, completely insulated according to VDE 0680.

Wiring

Design “c”/“d”

Wiring is effected via the 32 pole screw-type connector.

Wiring diagram

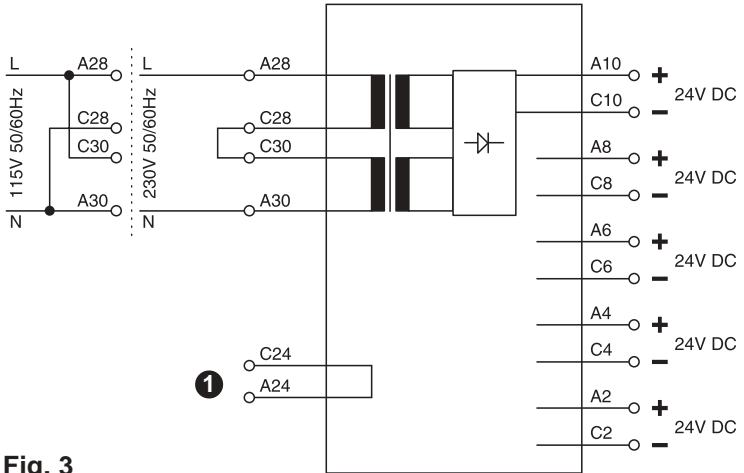


Fig. 3

Key to wiring diagram

1 Test loop



Attention

- Fuse supply cable with T 250 mA.
- When switching off inductive loads, voltage spikes are produced that may impair the operation of control systems. Inductive loads should be provided with commercial arc suppressor RC combinations, e.g. 0.1 μ F/100.

Commissioning




Warning

The terminal strip of the URN 2 is live during operation. This presents the danger of electric shock. Cut off power supply before opening the equipment and before inserting or removing the 19" slide-in unit.

Check wiring

1. Check whether the 19" slide-in unit has been properly inserted into the magazine.
2. Check whether the equipment has been wired in conformity with the mains voltage.

Apply mains voltage

1. Switch on the mains voltage and check the equipment for power supply. The LED  functions as visual check.

Check output voltage

Check whether all five outputs feature an output voltage of 24 V DC.

Annex



Danger

The terminal strip of the URN 2 is live during operation. This presents the danger of electric shock. Cut off power supply before opening the equipment and before inserting or removing the 19" slide-in unit.

Fault finding list

The LED is not illuminated after applying the mains voltage

Fault: The mains voltage has not been switched on.

Remedy: Switch on the mains voltage. Check the 19" slide-in unit for correct installation.

Fault: The internal fuse is defective.

Remedy: Remove the 19" slide-in unit and replace the internal fuse.

Not all outputs feature 24 V DC output voltage

Fault: The internal circuitry is defective.

Remedy: Replace the power supply unit.

If faults occur that are not listed above or cannot be corrected, please contact our service centre or authorized agency in your country.

Declaration of conformity

We hereby declare that the equipment **URN 2** conforms to the following European guidelines:

■ LVD guideline 73/23/eec version 93/68/eec

■ EMC guideline 89/336/eec version 93/68/eec

which are based on the following harmonised standards:

■ LV standard EN 60947-5-1: 1991

■ EMC standard EN 50 081-2, EN 50 082-2

This declaration is no longer valid if modifications are made to the equipment without consultation with us.

Bremen, 28th April 1997
GESTRA GmbH


Dr. Anno Krautwald


Dr. Christian Politt



GESTRA AG

Münchener Straße 77

28215 Bremen

Germany

Telefon +49 421 3503-0

Telefax +49 421 3503-393

E-Mail info@de.gestra.com

Web www.gestra.de