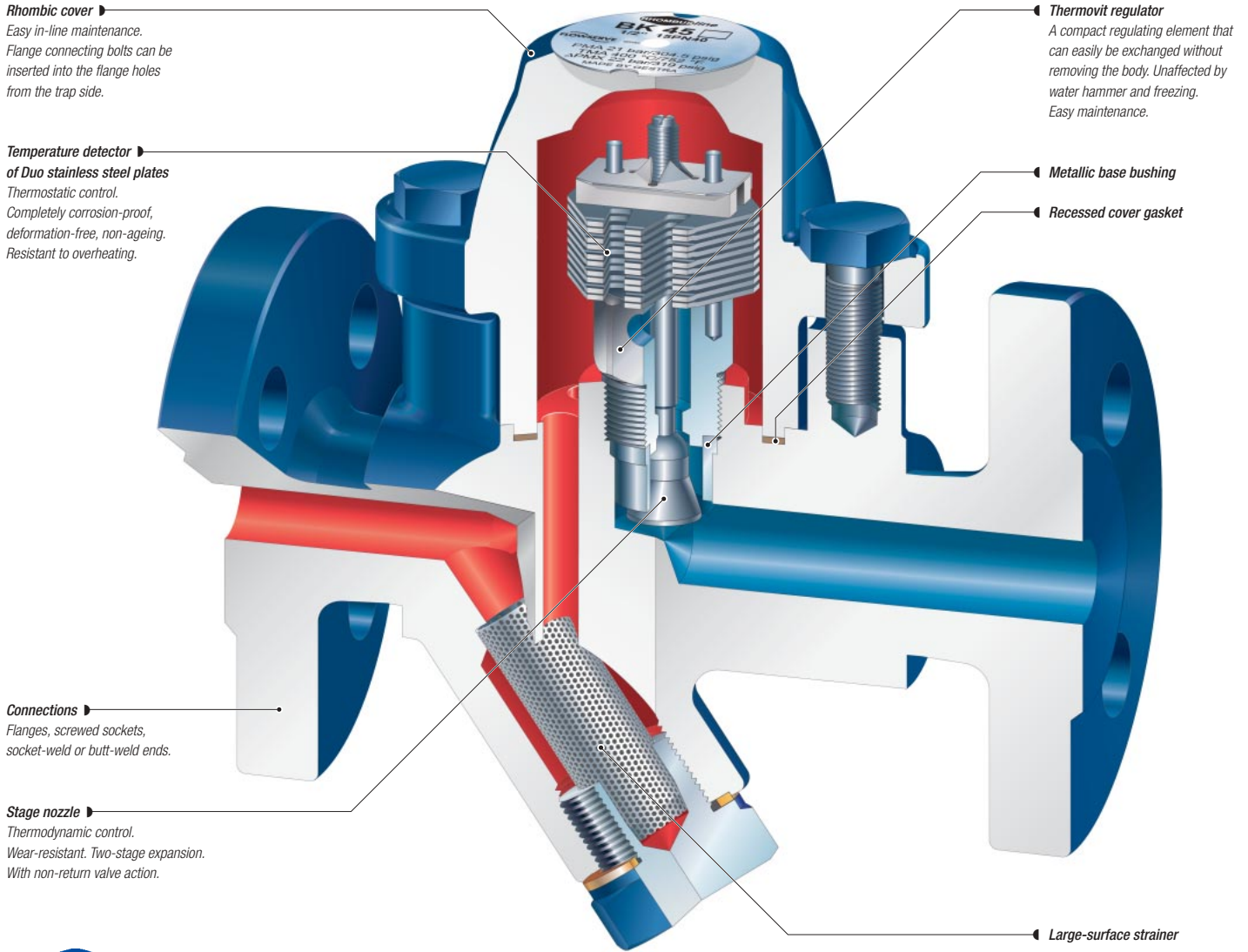


GESTRA thermostatic steam trap

with Duo stainless steel regulator, up to PN 630



Shown here: BK 45, PN 40

Functional principle

