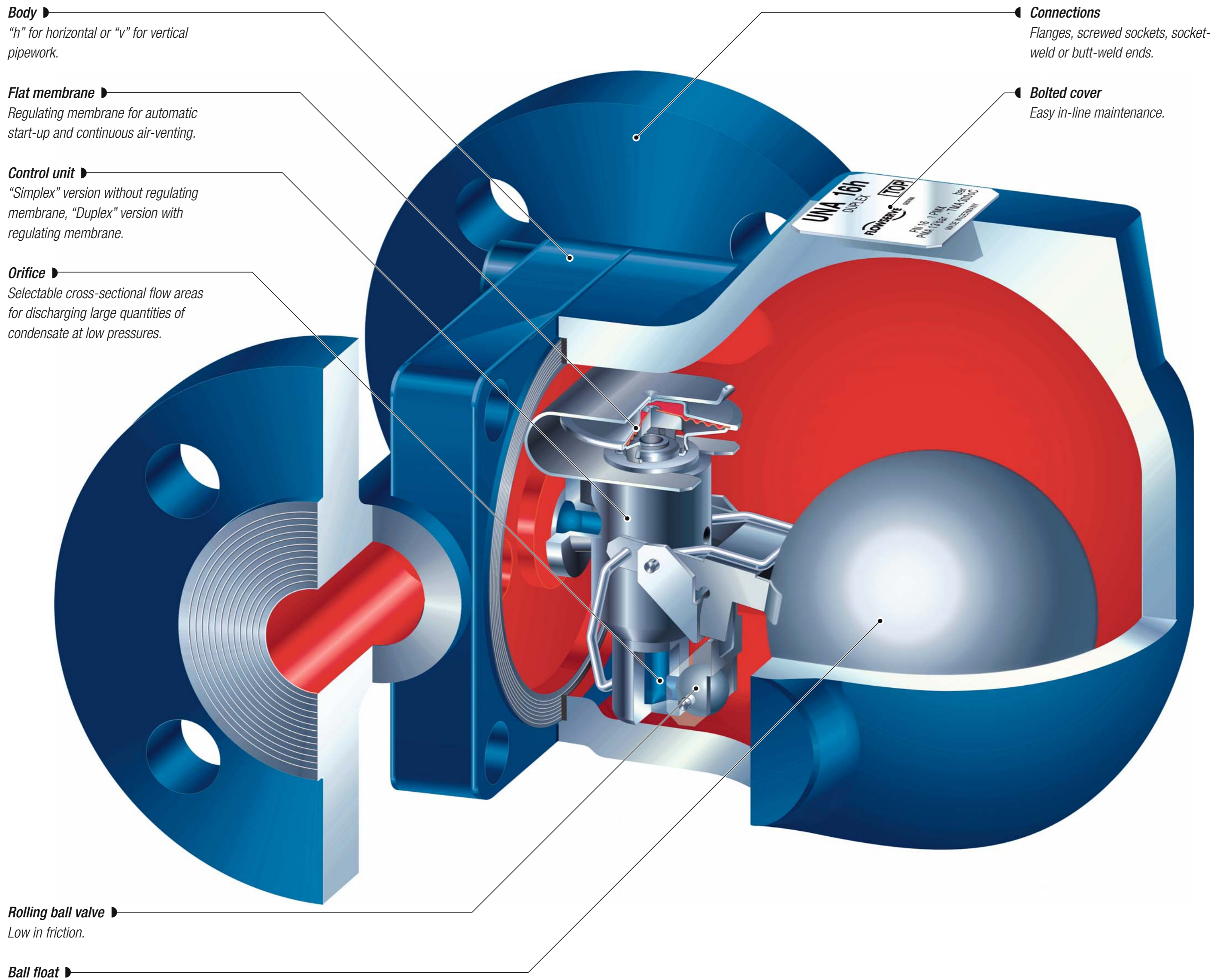


GESTRA steam trap with ball float

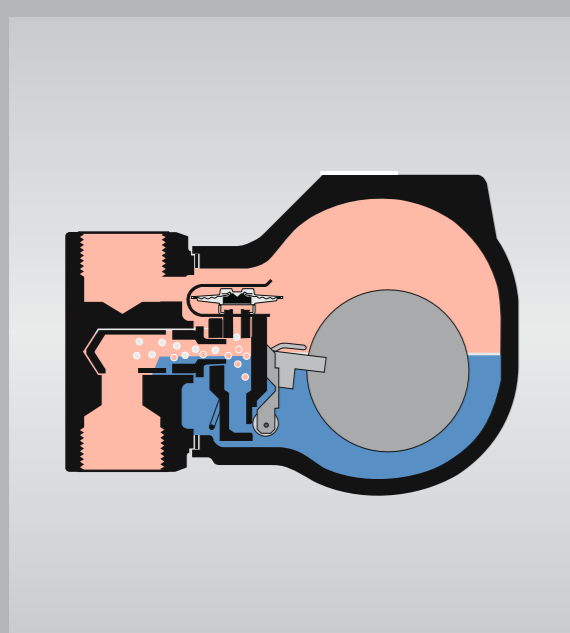
UNA 1 range, up to PN 40

FLOWSERVE

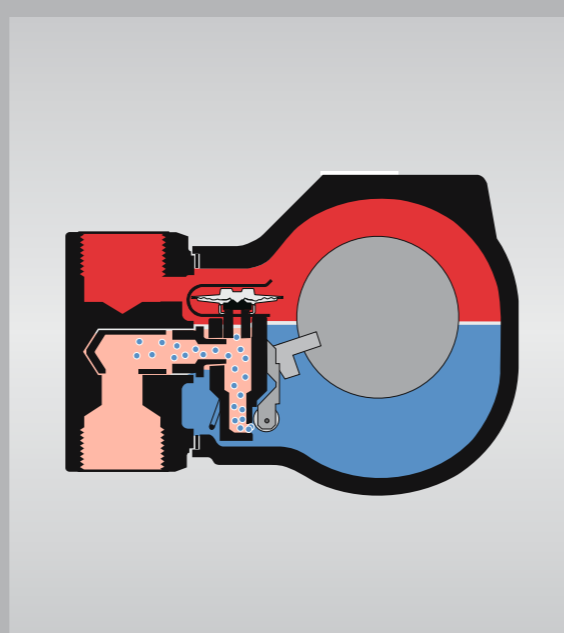
GESTRA



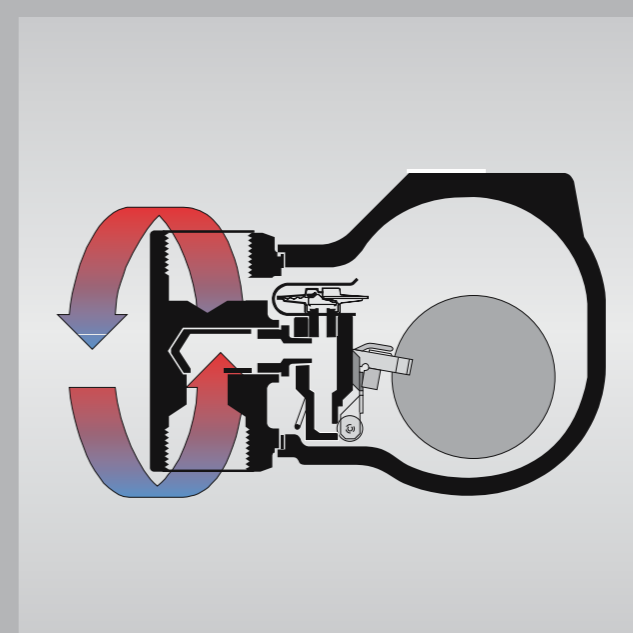
Functional principle



Automatic thermostatic air-venting by regulating membrane. Cold condensate and air are discharged.



The rolling ball valve is actuated directly by the float as a function of the condensate flowrate.



By moving the body, the trap can be adapted to the pipework (horizontal or vertical) in the direction of flow (left-to-right or right-to-left).

GESTRA AG

Münchener Str. 77, D-28215 Bremen
P.O. Box 10 54 60, D-28054 Bremen

Telephone ++49 (0) 421-35 03-0
Telefax ++49 (0) 421-35 03-393

E-Mail gestra.ag@flowserve.com
Internet www.gestra.de